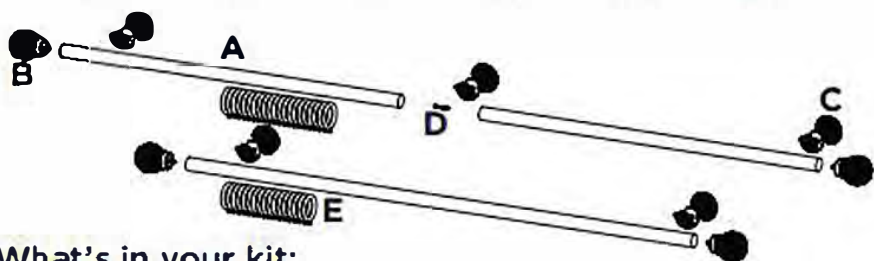


Fitting Instructions

Before you start, please read these instructions carefully and check the contents of your pack. Please ensure your pole is the right size, ideally, the poles should be 40cm longer than the length of your window, 20cm longer on each side.

What you'll need:



What's in your kit:

| | | Up to 180cm | Over 180cm |
|---|---------------|-------------------------|------------|
| A | Pole | 1 | 2 |
| B | Finials | 2 | 2 |
| C | Brackets | 2 | 3 |
| D | Joining Screw | 0 | 1 |
| E | Rings | 1 ring per 10cm of pole | |

Should any component be missing, please call the Customer Care Department on 0330 005 2233.

Safety Recommendation

Always use a step ladder when working at height.

DO NOT over reach. Always move the step ladder so that you are in a safe working position.

DO NOT hold or lean on the pole to support your weight.

We recommend you use two people for the installation of larger poles.

Take care when using power tools, use of a Residual Current Device (RCD) is recommended.

Always use eye protection when drilling. Beware of hidden pipe runs and cables.

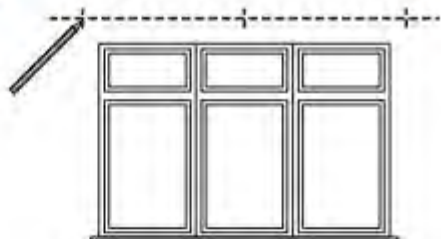
No liability will be accepted for damage or injury caused by incorrectly installed or assembled product.

PLEASE KEEP OUT OF THE REACH OF YOUNG CHILDREN.

SMALL PARTS ARE A CHOKING HAZARD.

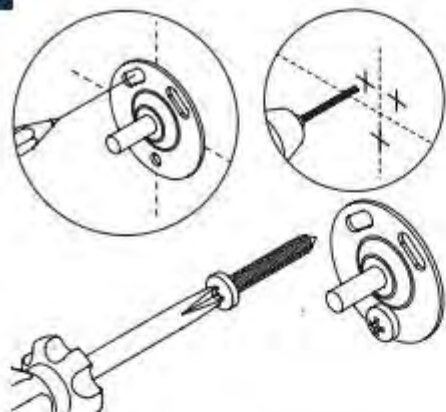
PLEASE KEEP THESE INSTRUCTIONS AND THE BATCH CODE ON THE PACKAGING FOR FUTURE REFERENCE.

1 Installing the pole



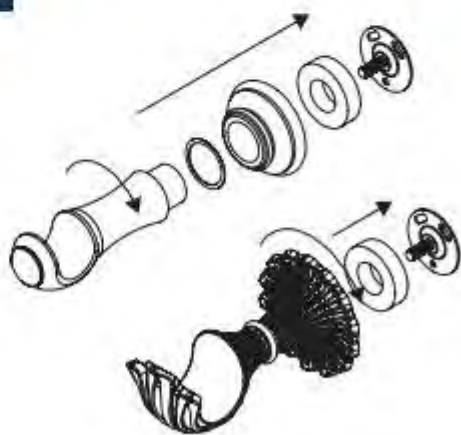
Mark a light horizontal line 10cm to 20cm above the window to represent where your pole is going to sit. On your line, mark the end bracket positions 10cm from each side of the window. Mark the centre bracket at the mid-point of the window if necessary. Note: The centre bracket is only required for poles longer than 180cm where two poles are joined together.

2



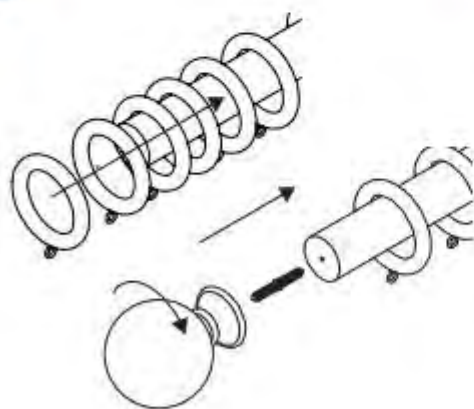
On your horizontal line mark the bracket positions using the back plate as a guide. Drill the holes and secure the back plate with the appropriate fixings.

3

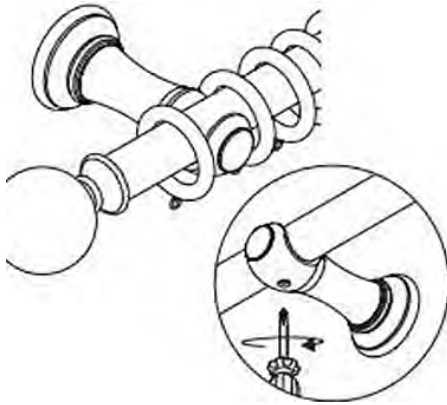


Assemble the brackets onto the back plates and secure by turning the bracket body clockwise until it is tight. Ensure that the cup is upright on completion of tightening.

4



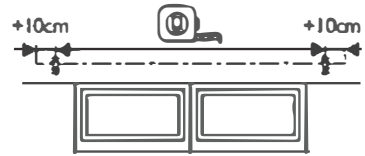
Slide the rings on to the pole. Secure the finial on to the end of the pole by tightening it in place.



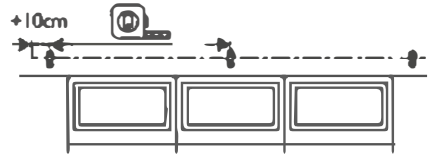
Place the pole on the brackets with the last ring on each side between the finial and end bracket. Finish by tightening the screws to ensure your pole is secure.

6 Cutting or joining the pole

With 1 pole

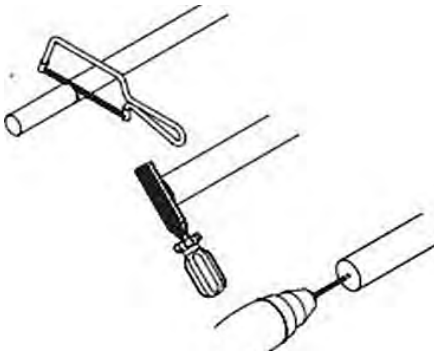


With 2 poles

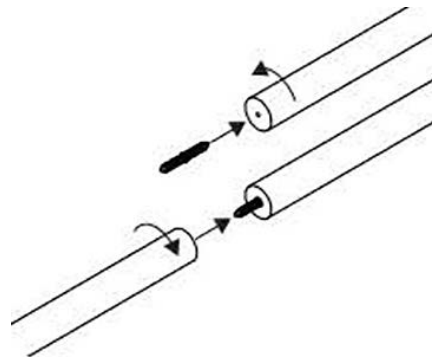


Measure the poles as shown above. If you have two poles, repeat the measurement on both sides of the window. Poles can be cut down to shorten their length. Both poles should be of equal length so that they meet in the centre.

8



If cutting down, when you are certain your measurements are correct, mark the pole and cut. Wrap masking tape around the pole to avoid damage. File any sharp edges and drill a small hole in the centre of the pole.



If joining 2 poles together, use the joining screw provided. The poles must be joined in the centre and supported by the centre bracket.