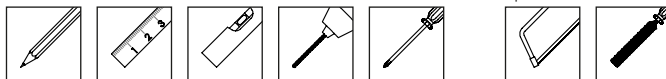


# WHITE DRAPE CURTAIN TRACK

## Fitting Instructions

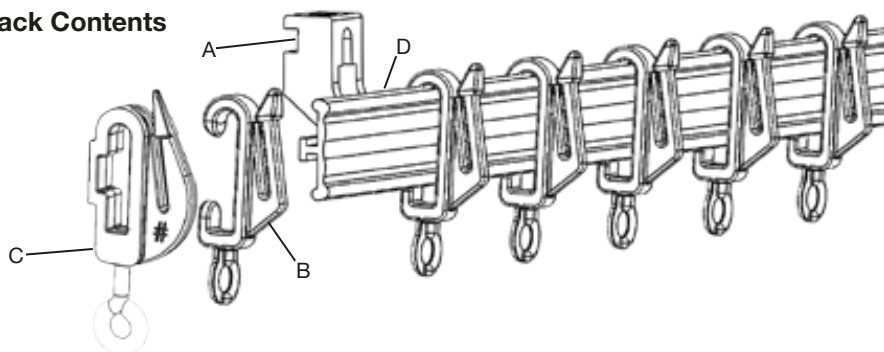
Please keep for future reference

### Tools required



Please read these instructions carefully and check the contents of the pack before attempting to assemble and fit this product.

### Pack Contents



		Length					
Parts		120cm	150cm	180cm	210cm	240cm	270cm
A	Brackets	4	4	5	6	7	7
B	Gliders	16	18	24	26	30	34
C	End stops	2	2	2	2	2	2
D	Track	1	1	1	1	1	1

Should any component be missing, please call the Customer Care Department on **0330 005 2233**.

### Safety Recommendation

Always use a Step Ladder when working at height.

DO NOT over reach. Always move the Step Ladder so that you are in a safe working position.

DO NOT hold or lean on the track to support your weight.

We recommend you use two people for installation of larger track.

Take care when using power tools, use of a Residual Current Device (RCD) is recommended.

Always use eye protection when drilling. Beware of hidden pipe runs and cables.

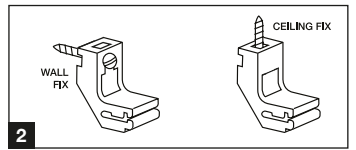
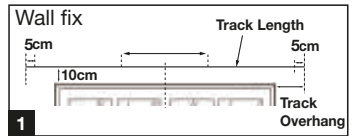
No liability will be accepted for damage or injury caused by incorrectly installed or assembled product.

PLEASE KEEP OUT OF THE REACH OF YOUNG CHILDREN. SMALL PARTS - CHOKING HAZARD  
PLEASE KEEP THESE INSTRUCTIONS AND THE BATCH CODE ON THE PACKAGING FOR FUTURE  
REFERENCE IN CASE OF ANY QUERIES

## Installing the Brackets

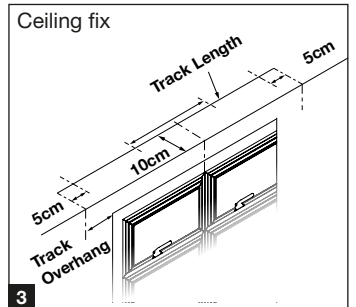
### Wall Fixing

1. Mark a line on the wall, 10cm over the top edge of the window. (Fig.1)
2. Centre the track to the window and mark the position for the end brackets no more than 5cm from the end of the track. (Fig.1) Ensure that the track overhang is long enough to dress the curtains. The track can be cut to size if required.
3. Mark the position of the remaining brackets by distributing them evenly along the track.
4. Drill holes and fit the correct plugs if necessary. If you are unsure please consult your local builders merchant or DIY store. Fix all the brackets using the correct screws. (Fig.2)



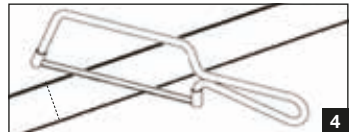
### Ceiling fixing

1. Mark a line parallel to the wall where you wish to install the track. We recommend the track to be installed at least 10cm from the wall. (Fig.3)
2. Follow step 2 to 4 from the wall fixing section



### Cutting the track

1. Measure and mark the required length of track.
2. Using a hacksaw carefully cut to length ensuring a straight edge remains. (Fig.4)
3. Remove all burrs using a file.



### Installation

1. Unscrew to release bracket jaws, locate track between jaws and tighten clamp screws. (Fig.5)
2. Slide on end stops and twist the eyelet to secure into place. (Fig.6)
3. Insert glide hooks at evenly spaced intervals into curtains tape pockets. Snap glide hooks, bottom part first, onto track. (Fig.7) The track is now ready to use.

