



**Silent Gliss SG 510 Autoglide
Quick Start Guide**

1. SG 5100 Autoglide - System Options

SG 5100B – Base



System SG 5100B standard control with radio wall switch, comprising of:

Motor SG 5190

Wall switch SG 10949

SG 5100R - Remote



System SG 5100R can be controlled by wall switch or remote control handset comprising of:

Motor SG 5190

Wall Switch SG 10949

Handset SG 10946

SG 5100T - Timer



System SG 5100T can be controlled by wall switch or timer unit comprising of:

Motor SG 5190

Wall switch SG 10949

Timer SG 11429

SG 5100TC - Total Control



System SG 5100TC can be controlled by wall switch, remote handset or Timer unit comprising of:

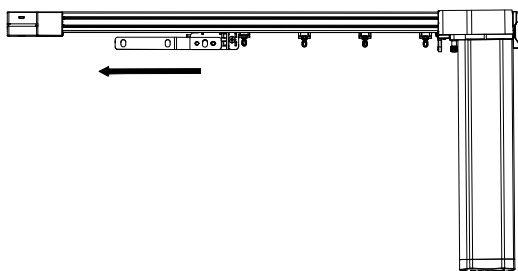
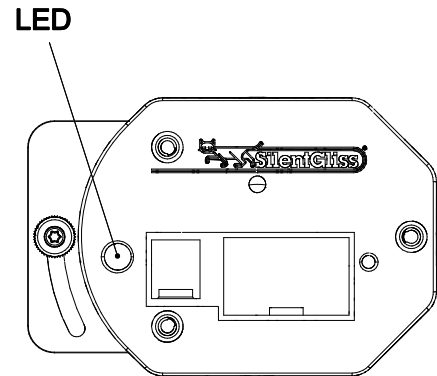
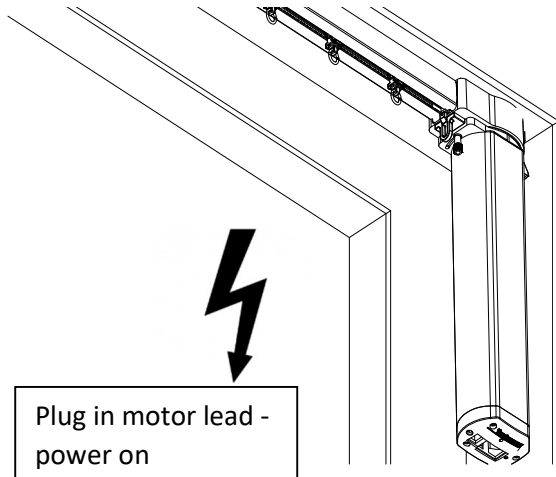
Motor SG 5190

Wall Switch SG 10949

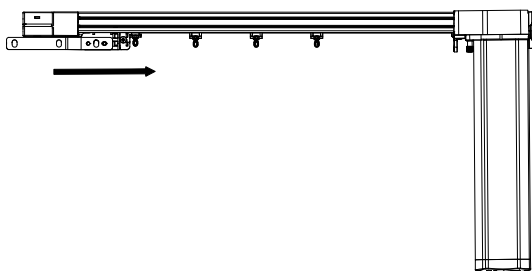
Handset SG 10946

Timer SG 11429

2. Setting the Limits (end positions)

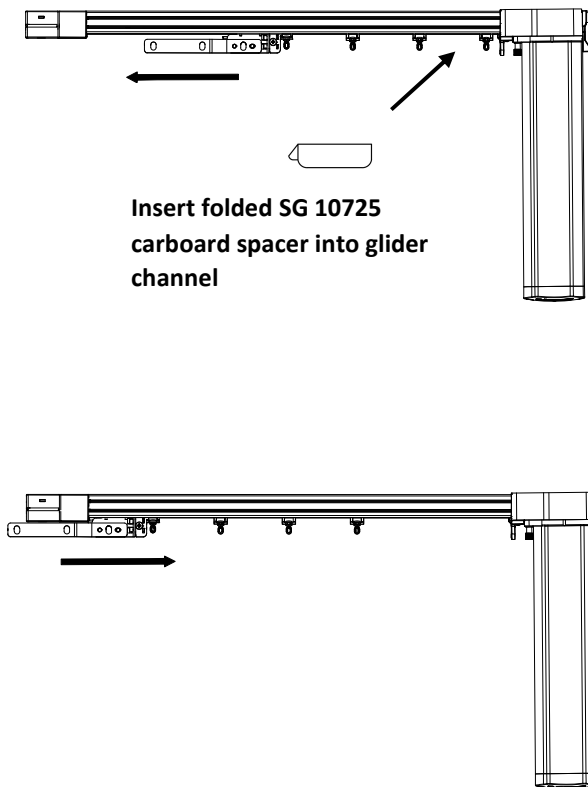


1. Pull curtain in one direction for 15 cm and then let go
2. Curtain moves in this direction until the end
3. LED blinks three times blue
4. First end position is set



1. Pull curtain in other direction for 15 cm and then let go
2. Curtain moves in other direction until the end
3. LED flashes three times blue
4. Second end position is set

Re-Setting limits (re-positioning end positions)



Changing the limits due to stacking requirements

1. Disconnect Power (Power off) for 10 sec.
2. LED flashes blue twice
3. Insert the cardboard spacer SG 10275 provided into the glider channel behind the overlap arm to pack out to the desired stacking width
4. Power on
5. Pull curtain in one direction for 15 cm and then let go
6. LED flashes 3 x blue
7. Pull curtain in other direction for 15 cm then let go
8. LED flashes 3 x blue

Please note your SG 5100 Autoglides are equipped with touch and go and manual override.

Now the limits are set it is possible to operate the curtains by simply pulling the leading edge of either curtain 15 cm in the desired direction, the curtain will then move to the limit in that direction.

If there is a power failure it is possible to move the curtains manually to open and close without damaging the track or motor.

However, it will mean the first movement made in either direction after the power failure will re-set the limits to the extreme ends, here any adjusted limit position set prior to the power failure will be lost. Therefore, the adjusted position will need to be reset as per the steps above (Re-Setting limits).

Please note, unplugging the power supply means that the limits need to be re-set as above.

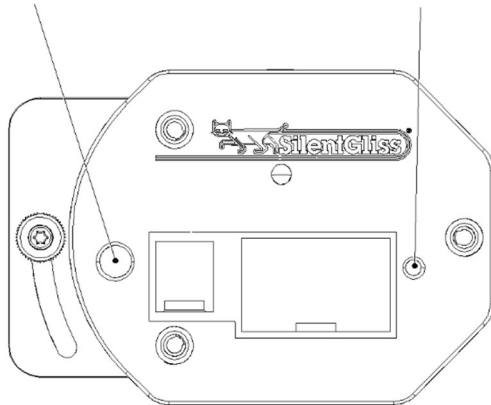
3. Assigning Controls to the motor

All controls are radio control so will need assigning to the motor on the track – for each system option follow the steps below after the limits (end positions) have been set on the motor.

SG 5100B - Base – Wall switch SG 10949

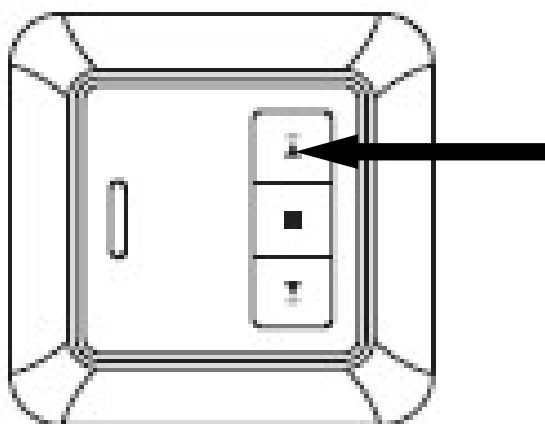
On the motor

LED Programming button



1. Push programming button with a pin for 1 sec
2. LED blinks red
3. Please follow the steps below on the wall switch within the next 10 seconds

On the wall switch

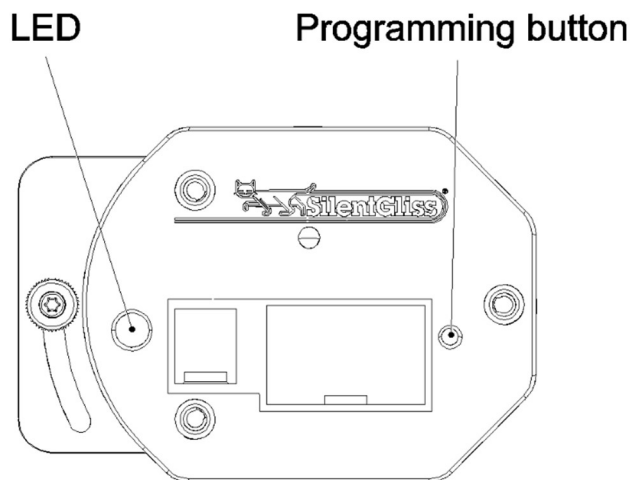


1. Press UP on wall switch
2. LED on motor blinks 3 times blue
3. Wall switch now assigned
4. For any further instructions refer to the instruction manual in wall switch package.

Full instructions for the radio wall switch SG 10949 are enclosed with the unit.

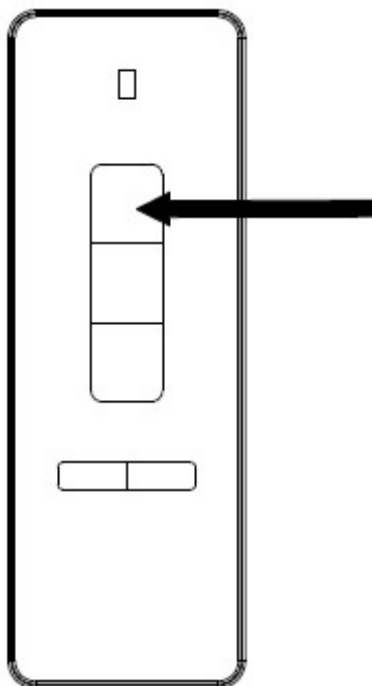
SG 5100R - Remote – Handset SG 10946

On motor



1. Push programming button with a pin for 1 sec.
2. LED blinks red
3. Please follow the steps below on the handset within the next 10 seconds

On Handset SG 10946



1. Press UP on handset
2. LED on motor blinks 3 times blue
3. Handset now assigned
4. For any further instructions refer to the instruction manual in wall plate package

Full instructions for the handset SG 10946 are enclosed with the unit.

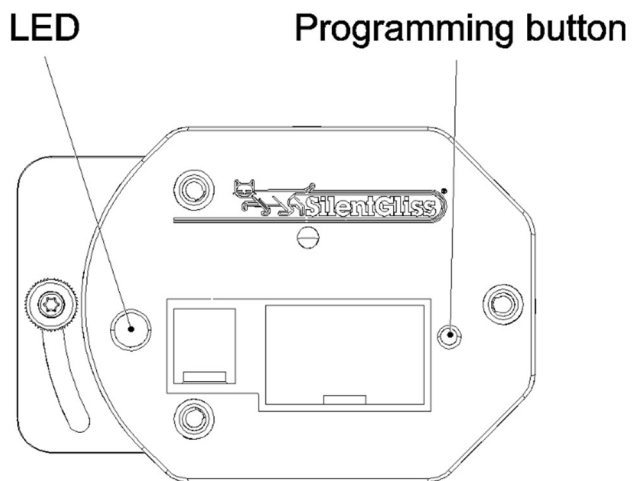
SG 5100T - Timer – SG 11429

On timer step - 1



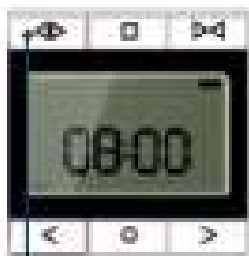
1. To Activate timer press power button on rear of unit approx. 1 sec with a pin.

On motor



1. Push programming button with a pin for 1 sec.
2. LED blinks red
3. Please follow the steps below on the handset within the next 10 seconds

On Timer Step 2



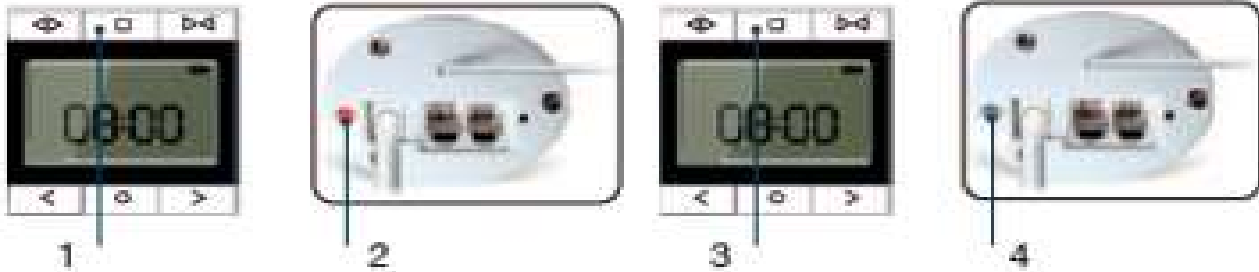
1. Push Open button, the flashing red LED on the motor will now stop.
2. LED on motor blinks 3 times blue

The timer will now be assigned to the motor.

Warning

If at this point the operation of the track is in reverse to the button directions, follow the instructions below

Changing Direction



1. - Press STOP on timer for 6 s
2. - LED on motor flashed red slowly
3. - Release STOP and re-press within 10 s
4. - LED on motor flashes blue x 3 – direction now changed

Full instructions for the SG 11429 timer unit are enclosed with the unit.

5100TC – Total control The 5100T uses each method of control Wall Plate, Handset and Timer, to assign each please follow the steps as per the instructions above for each unit.

Trouble shooting

Possible fault	Possible cause	Solution
When plugged in the motor will not respond		Ensure the plug is wired correctly, check power is at the socket outlet
When plugged in the motor will not rotate		Re-set end limits – ensure limits are retained
The motor cannot be operated with the switch		Programme the switch to the motor
The motor operates only for a short distance after start up	The track has possibly been assembled incorrectly	Check system, Re-set end limits
Buttons on timer do not respond (all buttons locked)		Remove battery from rear of unit for 5 seconds, replace battery now re-set clock (timer settings are retained).
Curtains do not meet in centre when curtains are hung.		Ensure curtain header is loose enough to allow full movement of the overlap arm.

www.silentgliss.co.uk

Silent Gliss Limited
Pyramid Business Park
Poorhole Lane
Broadstairs
Kent CT10 2PT

Telephone: 01843 863571
Fax: 01843 864503
info@silentgliss.co.uk