



Made to Measure Window Blinds

Real Wood Venetian Blinds

Fitting & Operating
Instructions and Guarantee

Before fitting, check to see if there are any obstructions, i.e. vents or handles, which would affect the smooth operation of the blind. Make an allowance for these when fitting the blind.

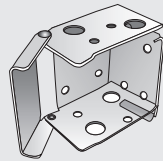
Real Wood Venetian Blinds

Fitting & Operating Instructions

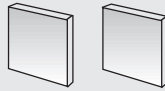


You should have:

First check you've got all the fittings that come with your Wooden Venetian blind.



End brackets: x 1 pair



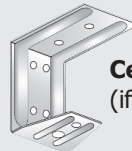
Matching end returns: x 1 pair
(if blind is to be fitted outside the window recess)



Matching fascia: x 1



Wood screws: x 4



Centre support bracket : x 1
(if length requires)



Safety cleat: x 1

Standard fixings for the most common installations supplied

Getting Started

You will need:

A drill with correct bit

**A crossheaded
screwdriver**

A metal tape measure

A pencil

Important information

Your brackets are packed separately in the box. Please ensure you've located them before disposing of the packaging.

The brackets are a universal type that can be used to top fix the blind into a recess or face fix into a frame or a wall.

A centre support bracket is also supplied with larger blinds that can also be top fixed or face fixed. This should be located as close to the centre of the blinds as possible, avoiding any slot support ladders.

Please read the following instructions carefully before you start fitting your blind.

Real Wood Venetian Blinds

Fitting & Operating Instructions



FITTING INSTRUCTIONS

To fit the brackets

Locate the measuring points you used to calculate the width of the blind. You may be able to use the blind as a template.

Ensure the brackets are positioned a suitable distance away from any window handles or obstructions to allow the blind to operate smoothly.

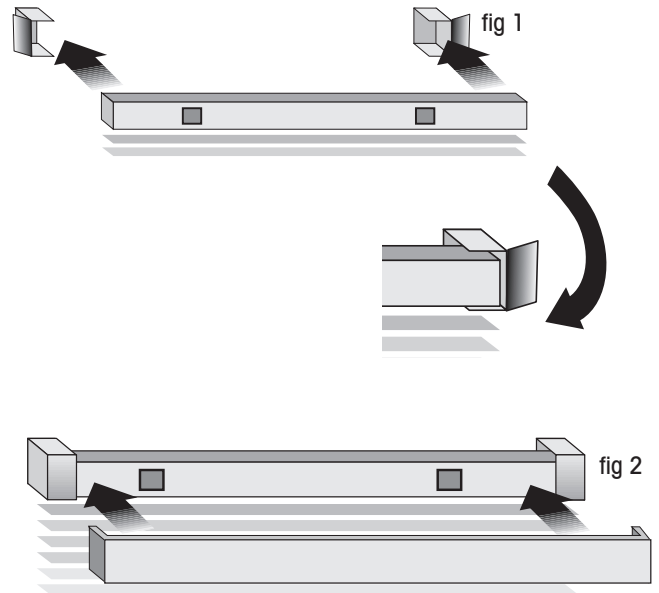
Make sure you allow the correct amount of space for the blind to fit snugly between the brackets.

Hold a bracket in position and mark where the screws will go, using the relevant holes in the bracket as a guide.

If you're fitting to a wall or lintel, use a drill with the suitable sized bit to make your holes, and push in rawlplugs.

If you're fitting into a wooden frame, screws your brackets into position. You may want to make pilot holes to allow easier fixing of the screws.

Fix the bracket into place and repeat on the other side of the blind



To fit the blind

Open the doors on the brackets and slide the blind into place with the controls and Velcro pads facing towards you (fig 1).

To lock the headrail into position, push down and snap shut the hinge doors (fig 1).

Fit the safety cleat to a wall adjacent to the blind. This safety device must be fitted in line with child safety legislation. For specific guidance on this please refer to your Fitting and Using Child Safety Devices leaflet.

To fit the Valance

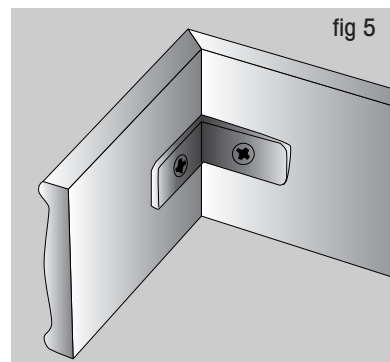
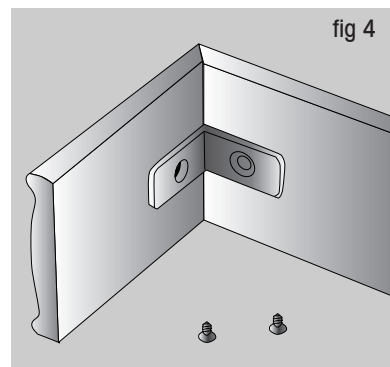
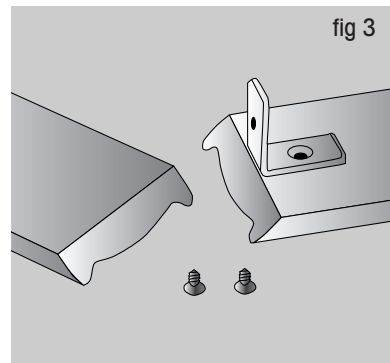
If you have fitted the blind inside a recess, remove the plastic backing from the Velcro pads and push the valance into place (fig 2).

To fit the valance returns (if required) peel the back off the double sided tape on the fascia return bracket and place centrally into position on the valance (fig 3).

Place the fascia return against the other side of the valance return bracket (fig 4).

Make sure the corner join is satisfactory and secure using the screws supplied. Alternatively, a suitable mitre adhesive can be used (fig 5).

Attach the fascia to the blind using the velcro pads.





Operating your blind

There are two controls that will operate the blind; a tilt control and a raise lower control.

To raise the blind, pull the cord down until the blind is at the height you want and lock into place by moving the cords across the blind.

To lower the blind, release the cord by moving them away from the blind, then let the cord slide through your fingers.

Slats should be open when raising or lowering the blind.

To adjust the angle of the slats, operate the tilt control cords as required.

Safety Tips

Move beds, cots and furniture away from the window.

Do not let cords or chains hang loose. Make sure they are kept out of reach of children at all times.

Do not tie loose cords and chains together.

Check the condition of all safety devices if not used regularly and replace if the device is faulty.

Replacements can be ordered on www.makeitchildsafe.co.uk



HALLIS HUDSON
Committed to excellence