



Made to Measure Window Blinds

# Perfect Fit® Blinds

Fitting Instructions

This Perfect Fit® blind was custom built to your exact requirements.  
High Quality materials and a design that is perfect in function  
and elegance guarantee a lifetime of long service.

Please read the following instructions carefully before installing your blinds

# Perfect Fit® Blinds

## Fitting Instructions

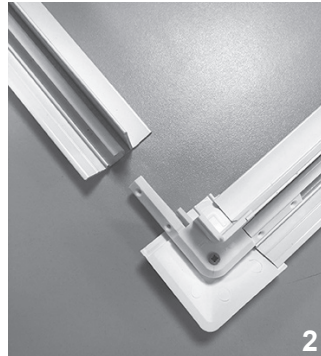


### How to assemble your Perfect Fit® blind

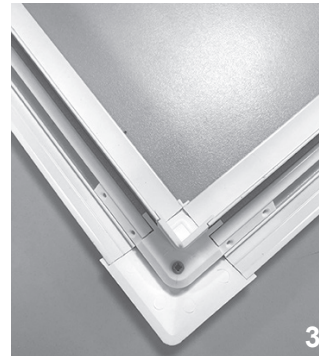
To assemble your Perfect Fit® blind, there is a simple assembly procedure to follow before fitting may commence. Carefully unwrap the blind components. Unravel all guides and control cords. The blind will have the top and bottom parts of the frame attached together with cord.



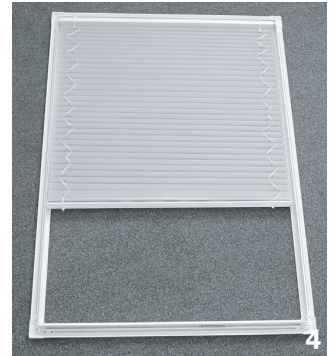
1. Lay out the blind face down on a clean, even surface.



2. Select the left hand frame component and guide onto the exposed arm of the bottom left



3. Slide the frame along the arm until secure. Repeat the process on the top left



4. Your Perfect Fit® blind is now ready to be fitted.



5. For the correct spacing distance of the brackets (85mm), place the credit card into a corner of the window.



6. Line up the window fixing bracket at the base of the card (or top of the card depending upon which corner of the window you are working) and fit the bracket by pushing it between the glass and the rubber seal on the window.



7. Using the credit card guarantees a perfect line up for each of the holes in your frame with each of the brackets.



8. Fit any intermediate brackets accordingly. Clean excess lubricant from window surface prior to fixing frame to brackets.

9. Take the Perfect Fit® frame and offer the left hand side to the left hand brackets. Align the frame holes with the bracket lugs. Click into place. Repeat this process for the right hand side. Now the Perfect Fit® frame is locked in position.

To remove the frame use a flat headed screwdriver and depress the bracket lugs while gently easing out the frame.

# Perfect Fit<sup>®</sup> Blinds

## Fitting Instructions



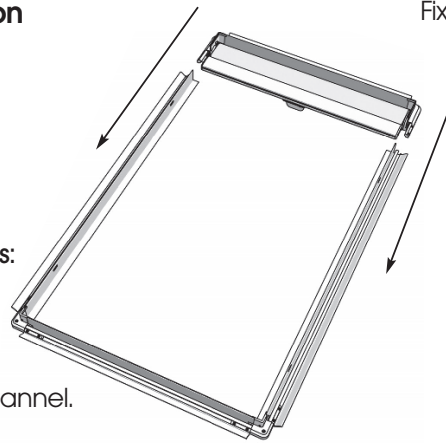
### Fitting Curved Top Section

#### For Silverframes:

Slide top of curved section into the rest of the frame.

#### For white, brown, grey, mahogany and oak frames:

Slide top of curved section into the rest of the frame, ensuring that end caps are located into the side channel.



Fix securely with the two screws on each joint.



### Fitting Perfect Fit

To ensure all brackets are in the correct position for fitting (85mm from beading) use a credit card in the corner of the window to insert the bracket.

For ease of insertion, use a lubricant in the form of washing up liquid on the base of each bracket.

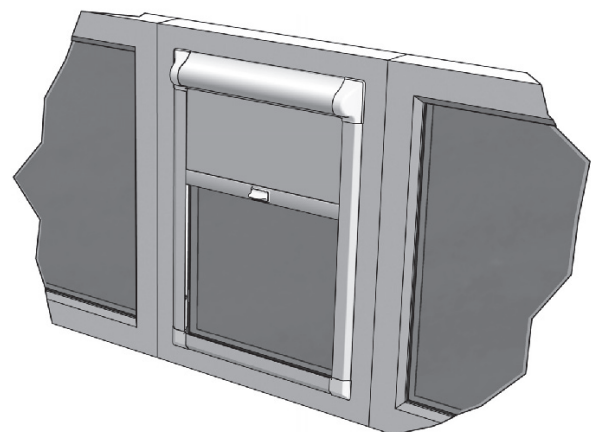
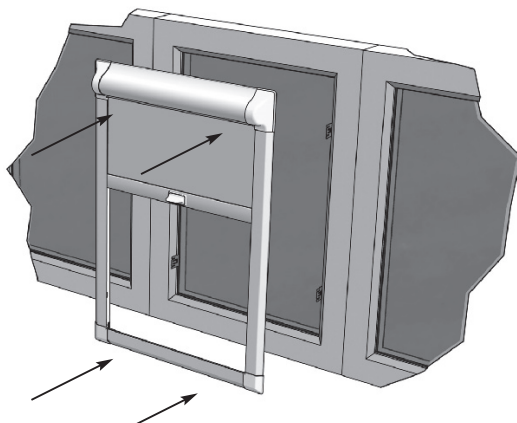
Line up the bracket with the base or top of the credit card (depending on which corner of the window you are working) and fit the bracket by pushing it between the glass and the rubber seal of the window.

Repeat for all 4 corners of the window, and intermediate brackets (if required) then clean excess lubricant prior to fitting the frame.

### Fitting the Frame

Line up the holes in the frame with the brackets.

Firmly press down the frame onto each bracket. Do one side at a time for an easier installation.



Your blind is now installed.

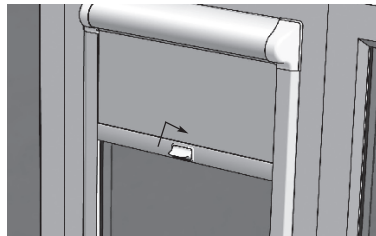
# Perfect Fit® Blinds

## Fitting Instructions

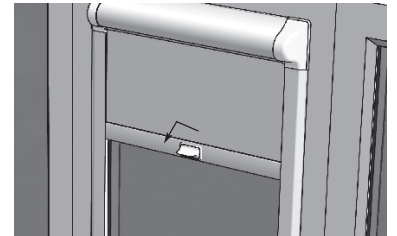


### How to Operate (Perfect Fit® white, brown, grey, mahogany and oak frames)

To release the blind, rock the handle forwards. The blind is then free to open and close.

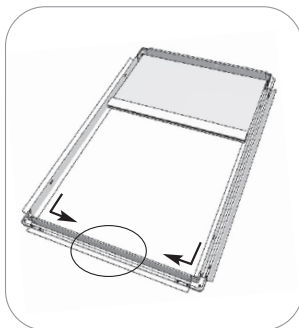
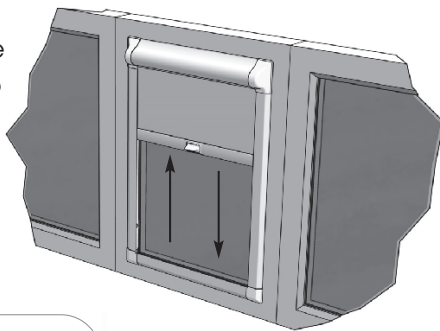


To lock the blind into position, rock the handle backwards.



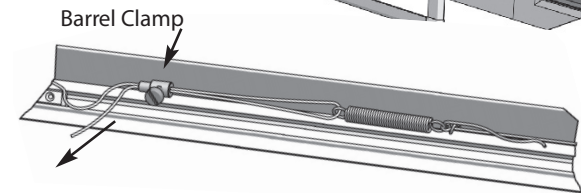
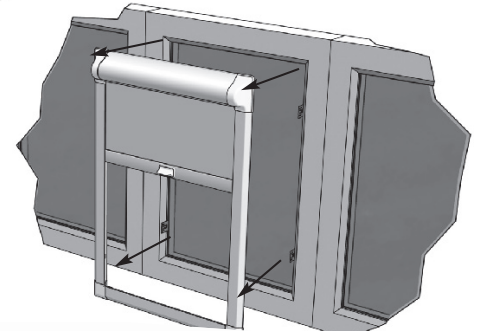
### How to Operate (Perfect Fit® silver frames)

Holding the Perfect Fit handle slide the blind up and down within the frame.



### Re - Tensioning the bottom spring (if required)

Remove the frame from the window. Turn the frame over and release the screw on the barrel clamp.



Pull the loose end of the cord through the barrel clamp to take up the slack and re-tighten the screw to hold the cord in the clamp.

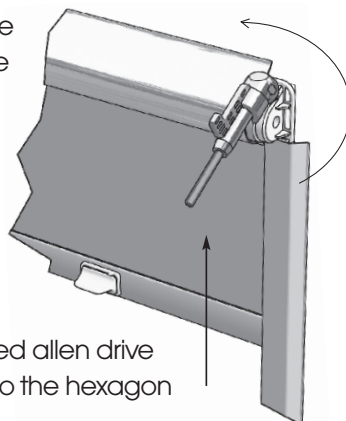
If necessary tighten the cord further to hold the blind down in the lower position.

### Adding 'Wrap Tension' if required

In order for the fabric to roll up, we need to add 'wrap tension' at the top of the blind.

1. Pull down the blind (do not manually push back up as it needs to raise naturally with the tension).

2. Insert a 4mm allen key or angled allen drive attachment (R9092 as shown) into the hexagon slot in the control end.



3. Turn 'anti-clockwise' to add tension until the blind starts to lift.

4. Tension is complete when the blind is fully opened.

5. Push the worm retaining clip into the hexagon slot to secure the tension.

