

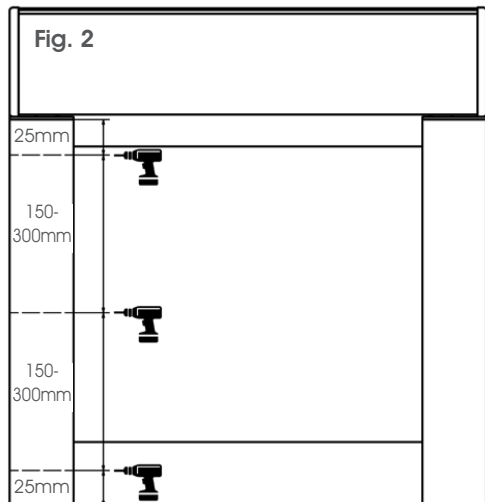
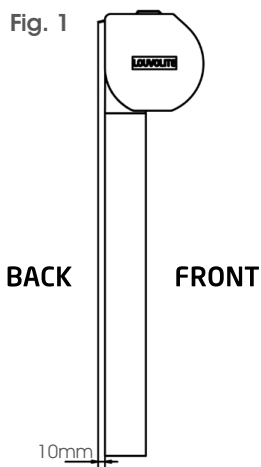


How to fit your
Room Darkening
System

Room Darkening System

Please note: Once fitted there will be an element of finishing required in order to make the system as efficient at controlling light leakage, especially if your window is not perfectly square. This can be done by using decorators caulk or similar to fill in the gaps in between the side channels and bottom rail and your window recess.

1 Top Fixing the Cassette (Inside Recess)



Step 1

Top fix the correct number of brackets across the window frame and position in line with each other, fix your cassette into the brackets.

Step 2

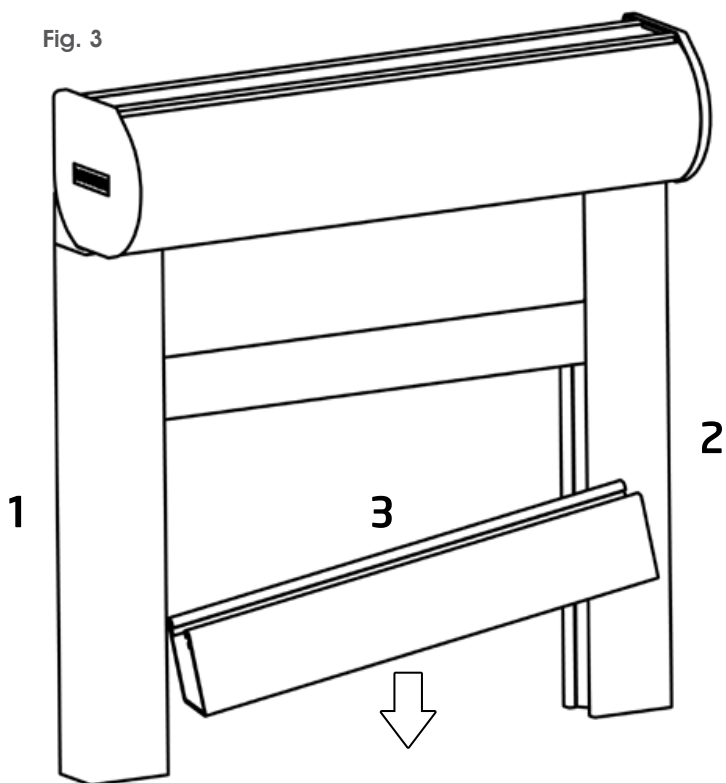
The side and base frame should be positioned 10mm from the back of the brackets or in line with the back face of the cassette.

If the frame has no pre-drilled holes we recommend you put one 25mm from the top and bottom then 150 to 300mm apart into the side of the frame dependent on the variable fixing surface.

Step 2 Continued...

Fix both sides of the frame first then the base.

Fig. 3



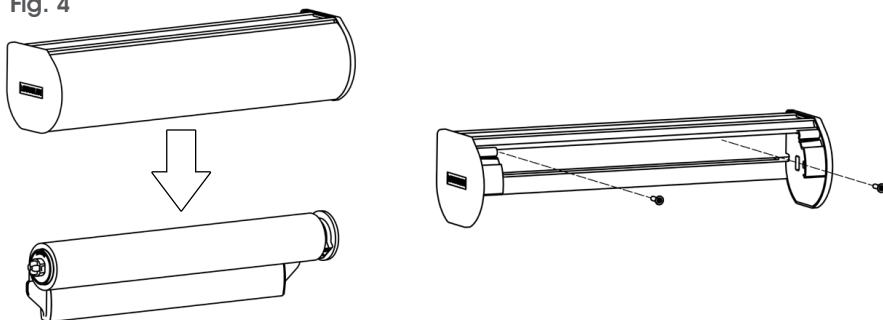
Room Darkening System

2 Front Fixing the Cassette (Outside Recess)

Step 1

Remove the blind from the cassette and direct fix by screwing through the back of the cassette to the wall/window frame.

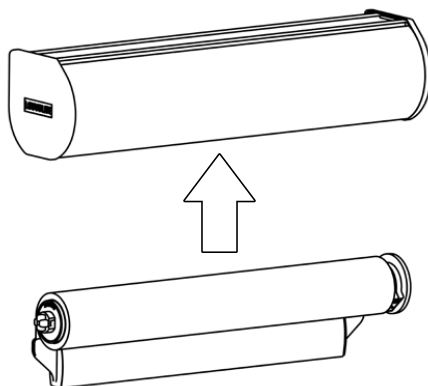
Fig. 4



Step 2

Replace the blind and cassette

Fig. 5

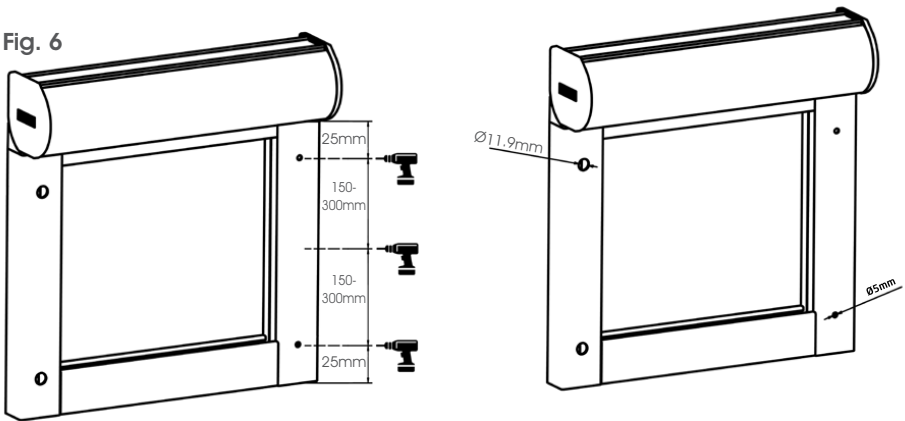


Step 4

If the frame has no pre-drilled holes we recommend you put one 25mm from each end, then 150 to 300mm apart dependant on the variable fixing surface. The number of holes should correspond with the number of covering buttons supplied.

Using a 5mm drill go through the face and back of the side channel then use a 11.9mm drill through the front only.

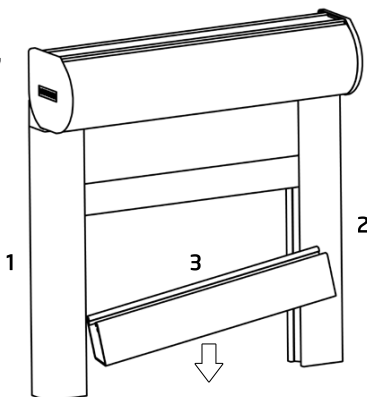
Fig. 6



Step 5

Fix both sides of the frame first then the base.

Fig. 7



Room Darkening System

Step 6

Use a white covering button to cover the holes on the outer frame.

Step 7 (Chain Operated Blinds Only)

Fix the top double chain safety device at the appropriate angle (so that the chain will not interfere with the side channel).

Both sides of the chain go over and down through the cord tidy. (Fig. 10)

Fix the bottom single chain safety device in line with the top chain safety device with the chain going around this. (Fig. 11)

Fig. 9 Shows the chain tidy being fitted inside the recess, if you are fitting your blind outside of the window recess please ensure you also fit the chain tension device outside of the recess.

In both instances you must ensure your chain safety device is fitted no lower than 150cm from the floor.

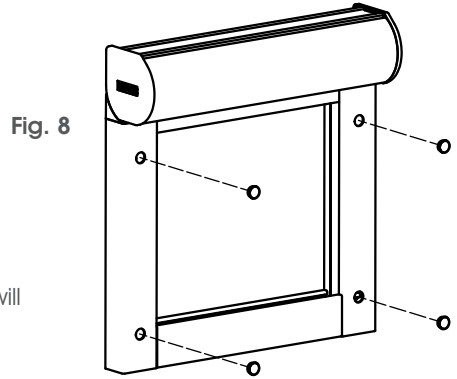


Fig. 8

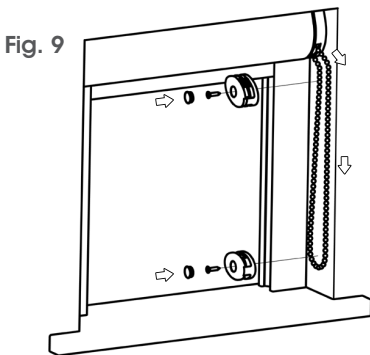


Fig. 9



Fig. 10

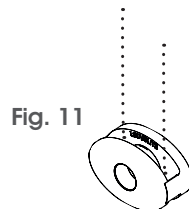
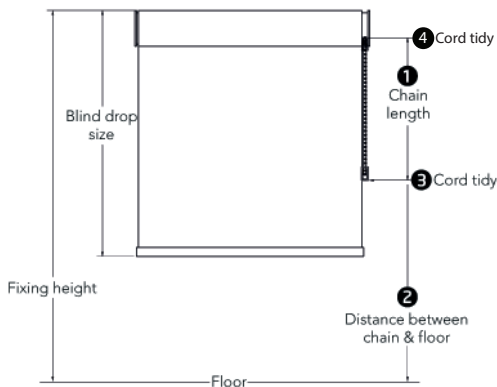


Fig. 11

Child Safety - BS EN 13120 Guidelines for Roller Blinds

Tensioned System with Cord Tidy



1 If fixing height is unknown

- Blind drop \leq 2.5 metres, the chain length must be \leq 1 metre.
- Blind drop $>$ 2.5 metres, the chain length must be drop of blind minus 1.5 metres.

2 If fixing height known

- All blind drop sizes, distance between floor and bottom of chain must be greater than 1.5 metres.

3 & 4 Cord tidy

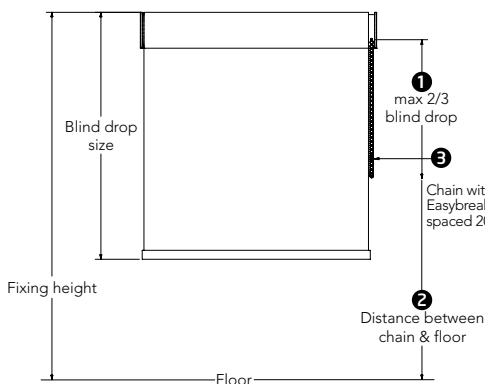
- Fix double cord tidy (4) with 2 screws at the appropriate angle, so that the chain will not interfere with the side channel. Fix single cord tidy (3) with 2 screws in line with the top cord tidy.

Tensioned System Labelling required

General warning tag on product	✓	Accessible inner cords tag	N/A	Warning label on packaging	✓
Non-integral devices tag	✓	Unlikely access tag	*	Manufacturer ID and date label	✓

* Only to be affixed if blind is to be installed in a commercial premises where children are unlikely to be present

Breakaway Connector System



1 If fixing height unknown

- Blind drop \leq 2.5 metres, the chain length must be max 2/3 blind drop.
- Blind drop $>$ 2.5 metres, the chain length must be max 2/3 blind drop.

2 If fixing height known

- All blind drop sizes, distance between floor and bottom of chain must be greater than 0.6 metres.

3 Chain must be fitted with 2 x

- Easybreak connectors 200mm apart
Will break apart when excessive force is exerted on the chain.

Breakaway System Labelling required

General warning tag on product	✓	Accessible inner cords tag	N/A	Warning label on packaging	✓
Non-integral devices tag	N/A	Unlikely access tag	*	Manufacturer ID and date label	✓

* Only to be affixed if blind is to be installed in a commercial premises where children are unlikely to be present



HALLIS HUDSON
Committed to excellence

Hallis Hudson Group Limited,
Unit C34, Red Scar Business Park, Longridge Road, Preston, Lancashire, PR2 5NN

