



How to measure your
Perfect Fit
Universal Blinds

How to measure your

Perfect Fit Universal Blinds

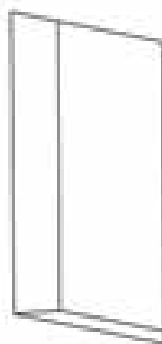
The maximum blind Size for Perfect Fit Pleated, Venetian and Roller Blind are fitted onto the Universal Frame is dependent on that type of Perfect Fit Blind chosen.



**Perfect Fit Frame
with Blind**



**Perfect Fit
Universal Frame**



Window Aperture

1 For Inside Recess Fit / Side Fix Blinds

Step 1

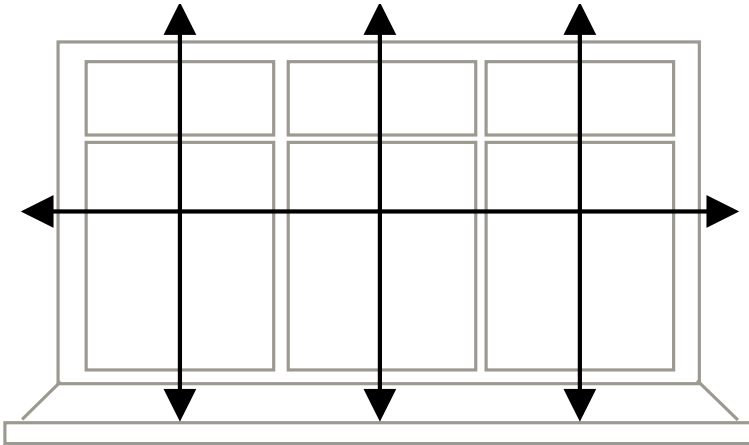
Measure the inside width of the recess in several places, particularly at the top of the recess and record the smallest drop **minus 2mm**.

Step 2

Measure the inside drop of the recess in several places and record the smallest drop **minus 2mm**.

Step 3

You now have the width x drop of the inside recess size.



Inside Recess

How to measure your

Perfect Fit Universal Blinds

2 For Outside Recess Fit / Face Fix Blinds

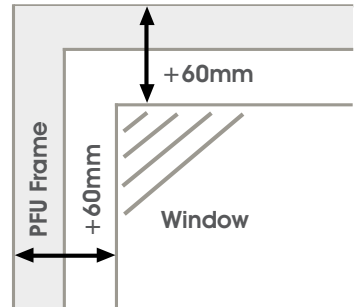
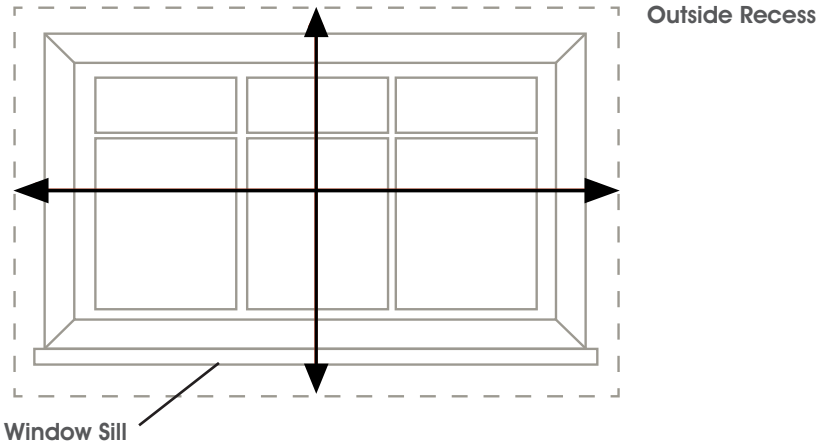
Step 1

We suggest the frame should project at least 60mm each side of the recess from the edge of the wall to the outside of the Universal Frame,

Step 2

Measure and record the width and drop using the diagrams as a guide.

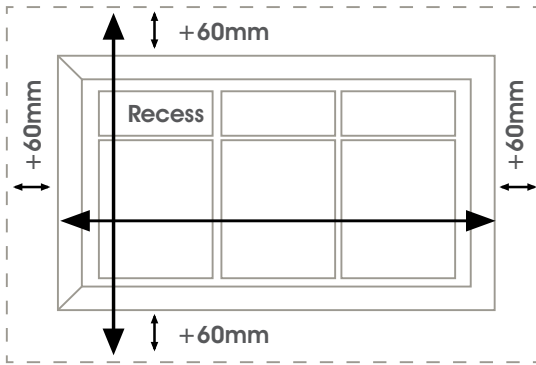
Note: All sizes are to the outside of the Universal Frame.



3 Examples

NO WINDOW SILL: Recess width is 1200mm and the recess drop is 1000mm.

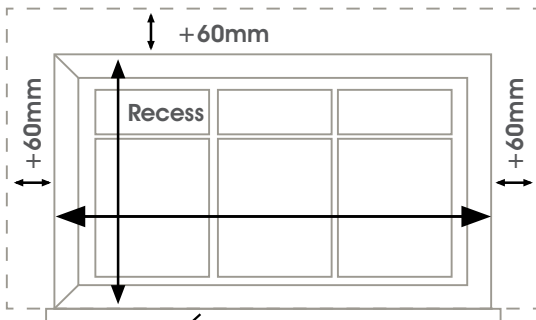
Using the diagram below, the frame size will be 1200mm + 120mm x 1000mm + 120mm = final frame size of 1320mm width x 1120mm drop.



Outside Recess
with NO window sill

WITH WINDOW SILL: Recess width is 1200mm and the recess drop is 1000mm.

Using the diagram below, the frame size will be 1200mm + 120mm x 1000mm + 60mm = final frame size of 1320mm width x 1060mm drop.



Outside Recess
WITH a window sill



HALLIS HUDSON
Committed to excellence

Hallis Hudson Group Limited,
Unit C34, Red Scar Business Park, Longridge Road, Preston, Lancashire, PR2 5NN

