



How to fit your

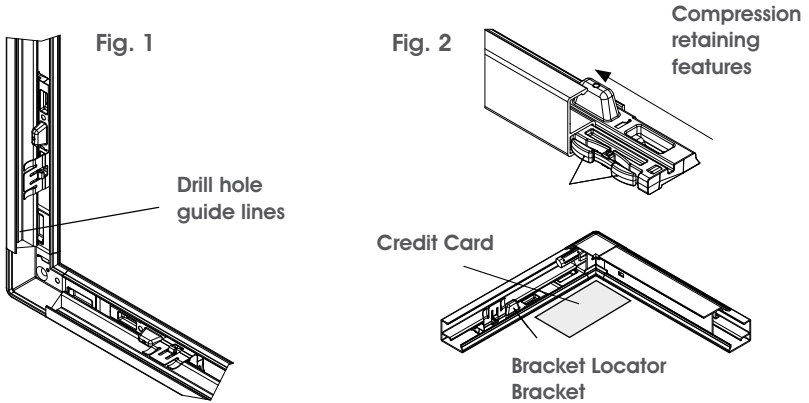
Perfect Fit

Universal Blinds

How to fit your

Perfect Fit Universal Blinds

1 Fitting – Side Fix (Inside Recess)



Step 1

Using the guide lines, drill 4mm holes through the side of the frame for fixing (fig. 1).

Step 2

Assemble the Universal Frame and fit into recess ensuring the frame is square and level (fig.4).

Step 3

Using a credit card, measure to the highest point inside of the frame and fit the brackets into the bracket locator. Slide to line up with the punch holes in the Perfect Fit Frame (fig.2).

Note: Always use 24mm Perfect Fit brackets.

Step 4

Clip the Perfect Fit frame to the installed universal frame (fig.3).

Fig. 3

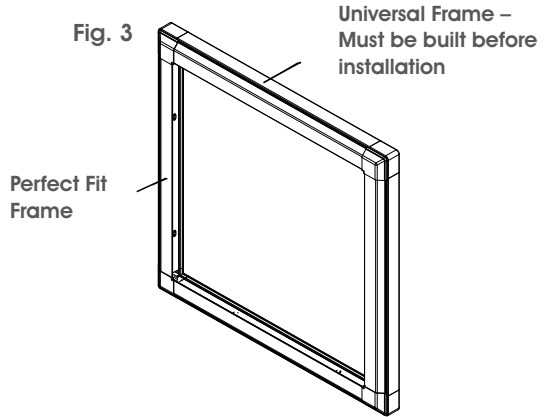
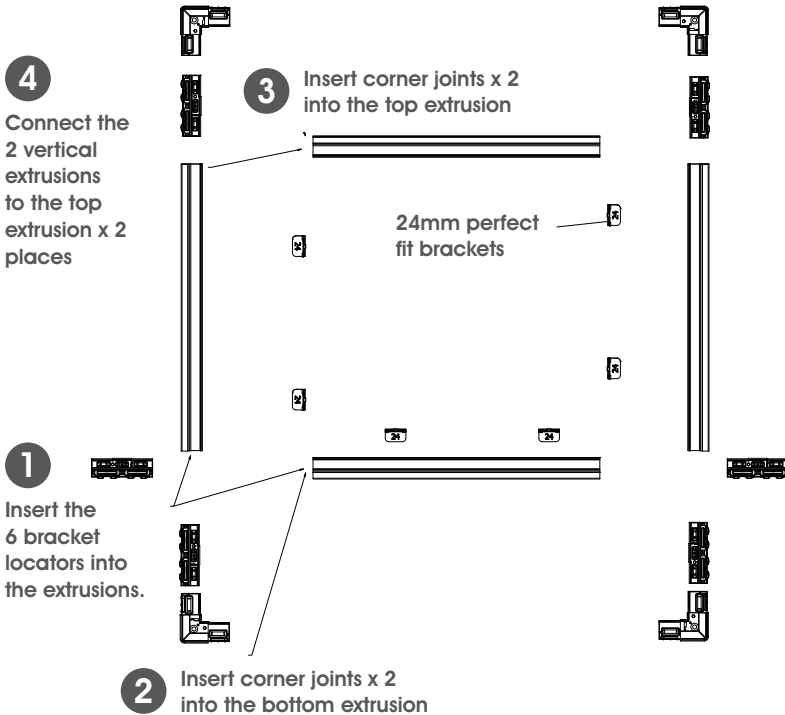


Fig. 4



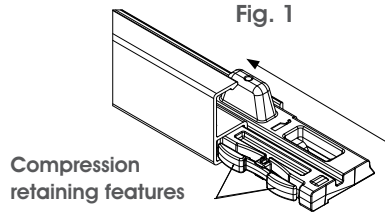
How to fit your

Perfect Fit Universal Blinds

2 Fitting – Face Fix (Outside Recess)

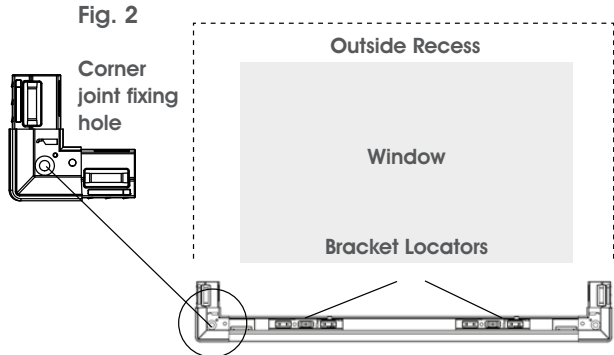
Step 1

Slide bracket locators into the two sides and the bottom of the Perfect Fit Universal frame (fig.1).



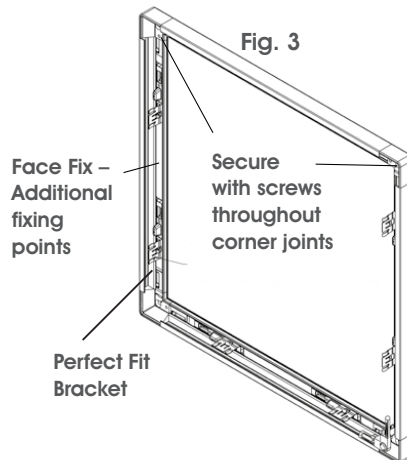
Step 2

Slide the two corner joints into the bottom frame section and secure to the wall through the fixing hole in the corner joint, ensuring the frame is square and level (fig.2).



Step 3

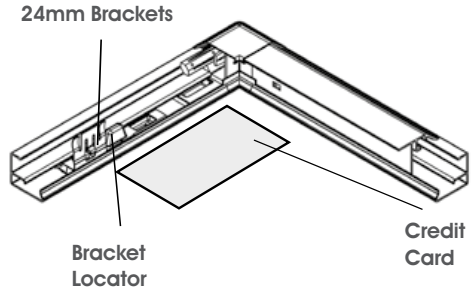
Assemble the top and side of the frame and push onto the corner joints of the bottom frame section and secure through the remaining holes in the corner joint. Additional fixing holes can be drilled through the back of the frame if required (recommended on frames over 750mm). If adding additional fixing holes, ensure the bracket locators are positioned away from the screws before adding the fixing screws (fig.3)



Step 4

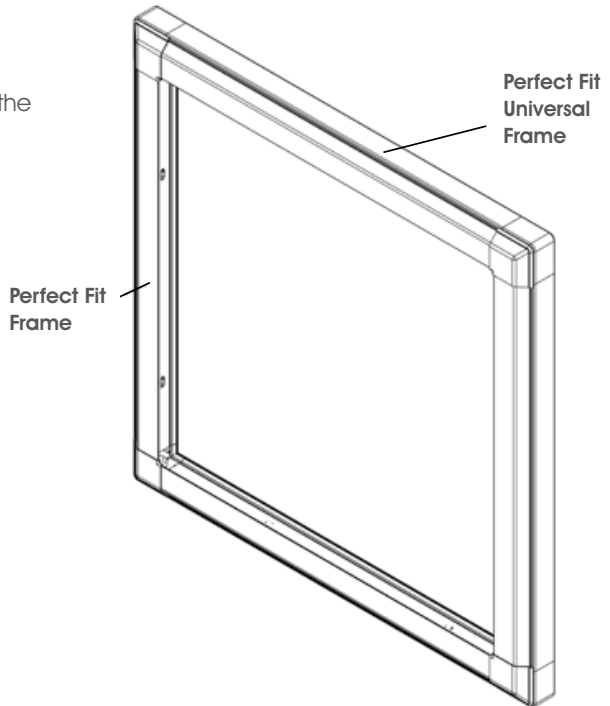
Using a credit card, measure to the highest point inside of the frame and fit the brackets into the bracket locator. Slide to line up with the punch holes in the Perfect Fit frame (fig.2).

Note: Always use 24mm Perfect Fit brackets.



Step 5

Clip the Perfect Fit frame to the installed universal frame.





HALLIS HUDSON
Committed to excellence

Hallis Hudson Group Limited,
Unit C34, Red Scar Business Park, Longridge Road, Preston, Lancashire, PR2 5NN

