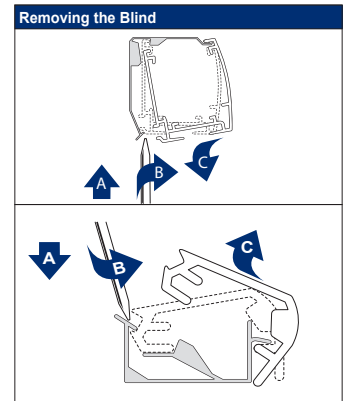
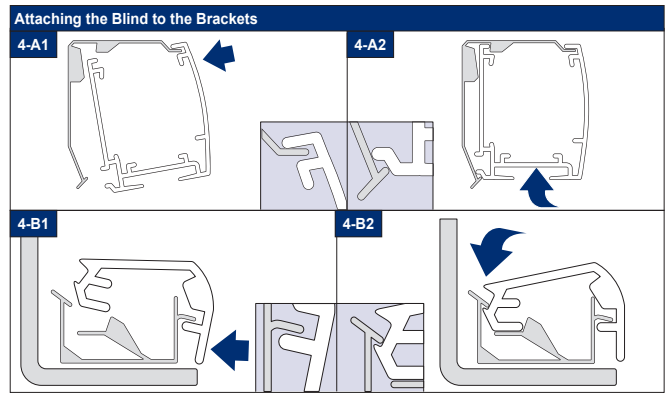
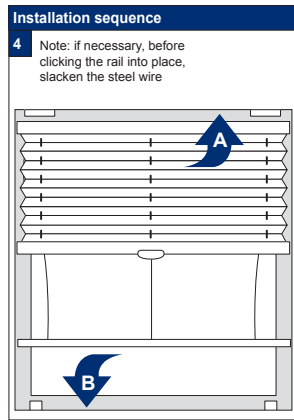
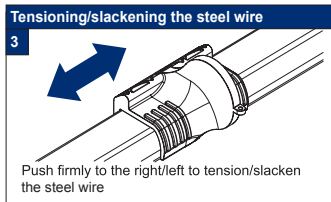
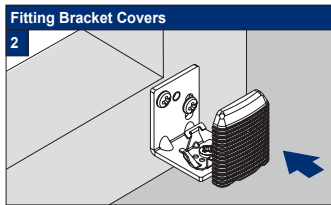
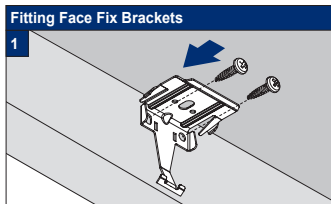
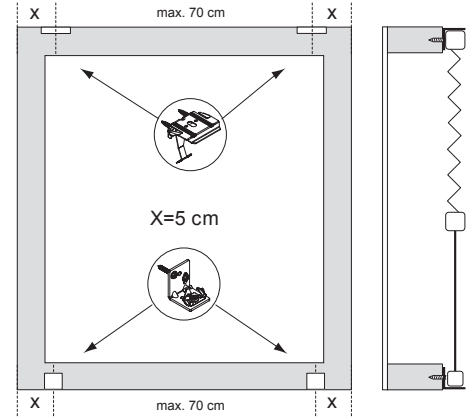
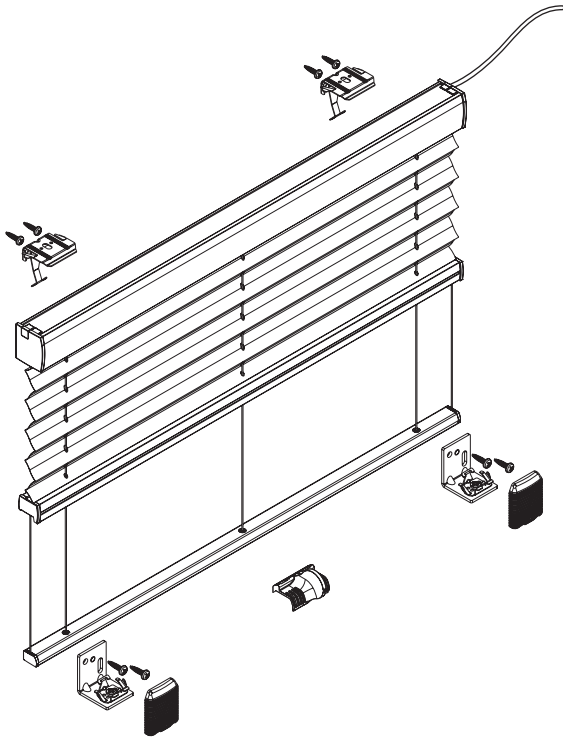


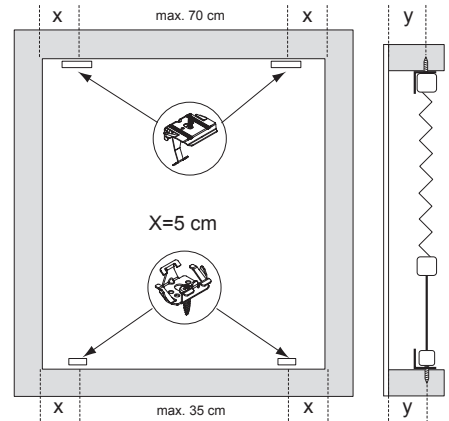
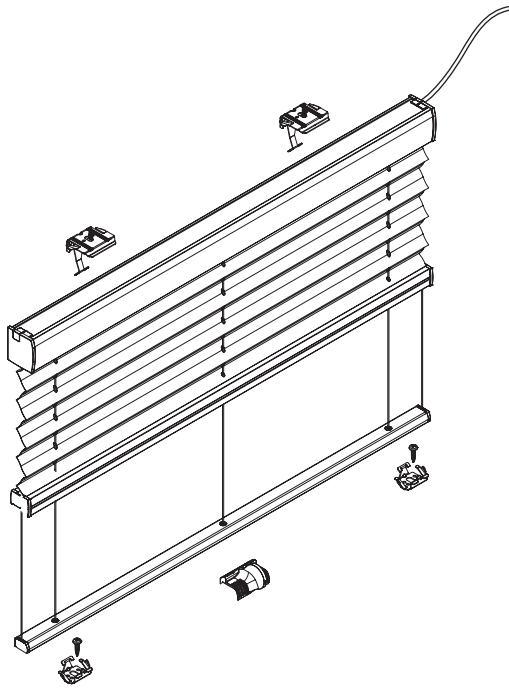
# Facefix Installation

## Duette® Shades Skylight - Motorised (PE10)

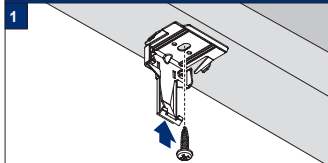


# Topfix/Recess Installation

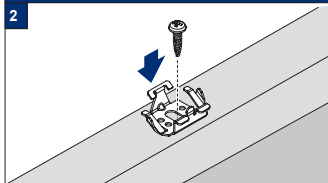
## Duette® Shades Skylight - Motorised



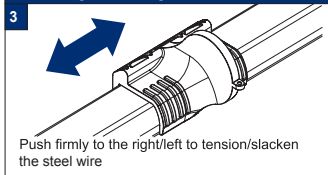
### Fitting Top Fix Brackets



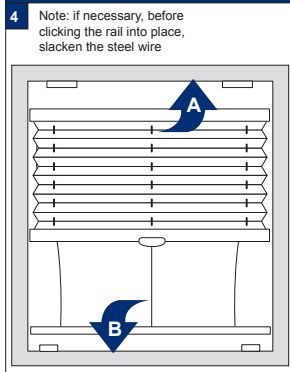
### Fitting Footplate



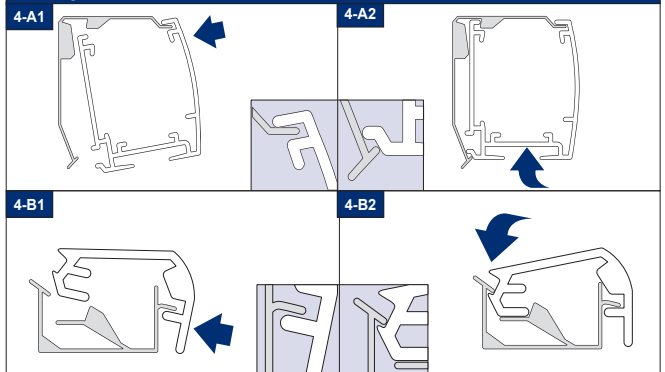
### Tensioning/slackening the steel wire



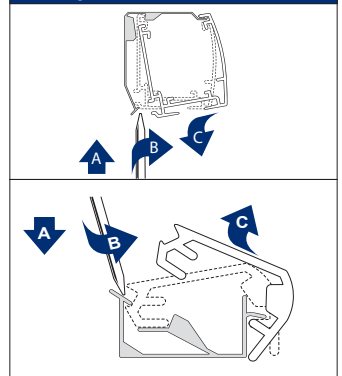
### Installation sequence



### Attaching the Blind to the Bracket



### Removing the Blind



Subject to technical changes