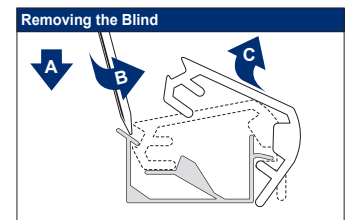
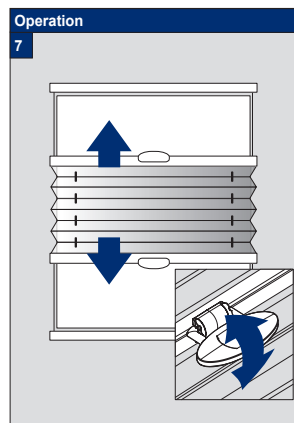
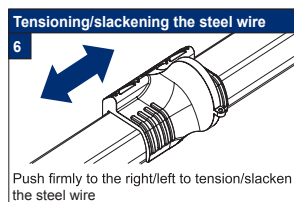
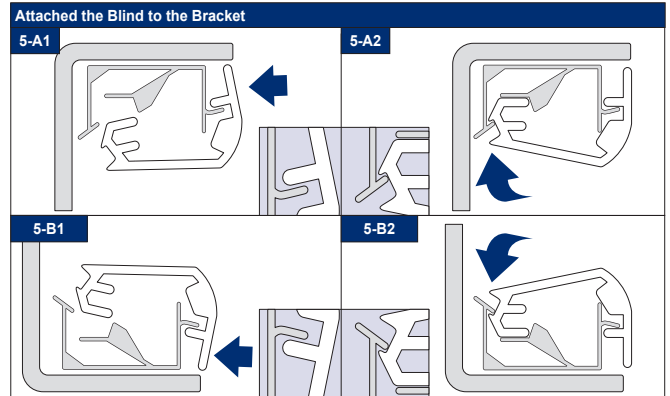
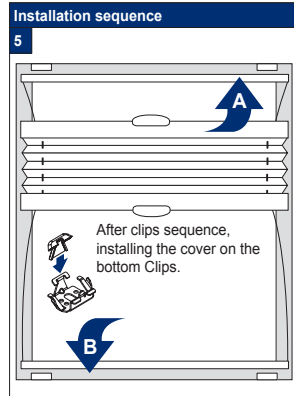
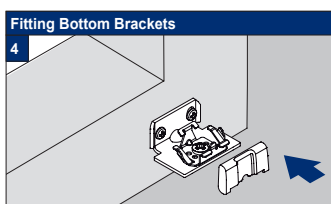
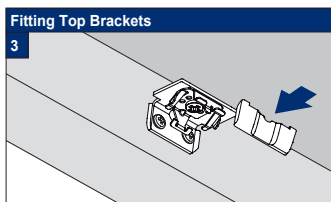
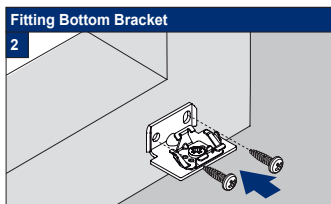
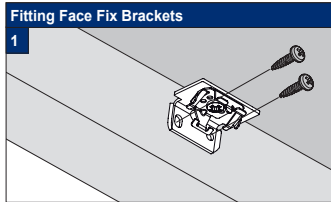
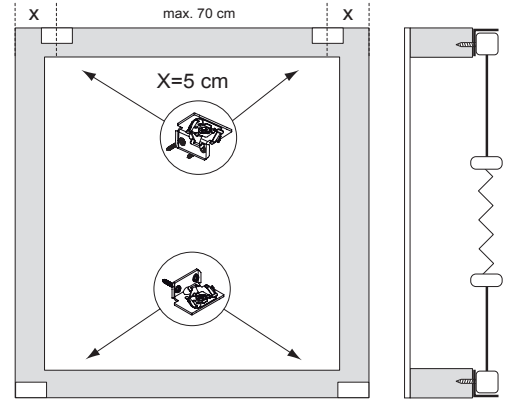
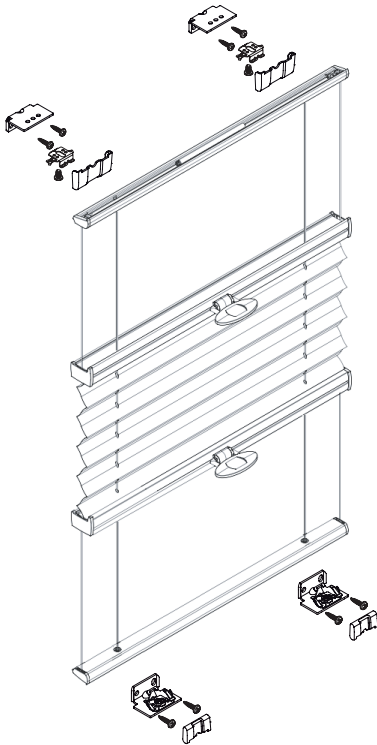


Facefix Installation

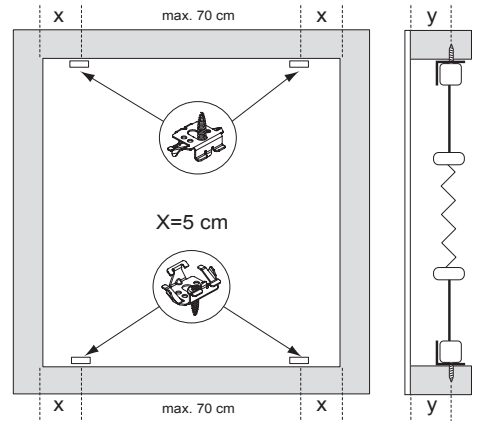
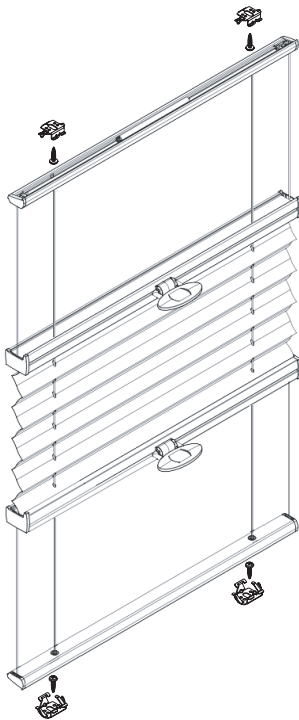
Duette® Shades Skylight - Cord Tensioned with Fixing Rail, Multizone (PB20)



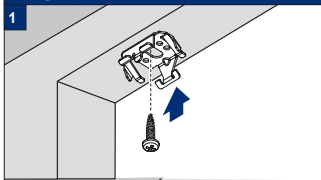
Subject to technical changes

Topfix/Recess Installation

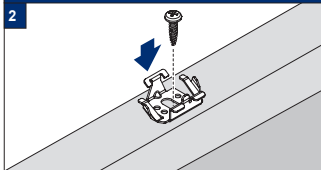
Duette® Shades Skylight - Cord Tensioned with Fixing Rail, Multizone



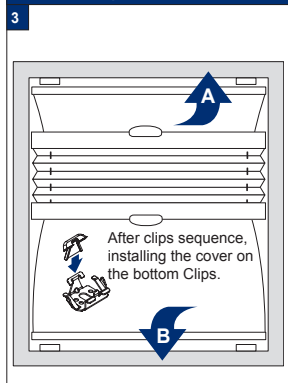
Fitting Top Fix Brackets



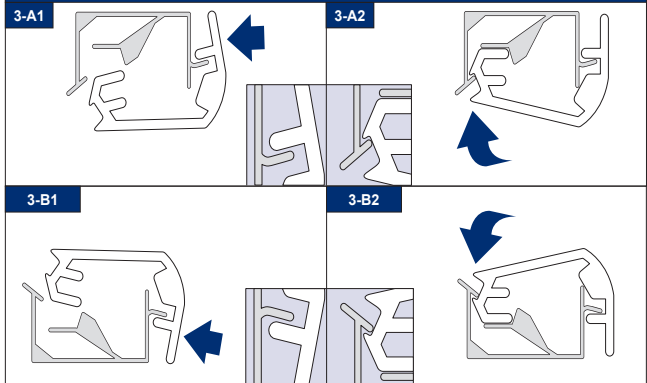
Fitting Footplate



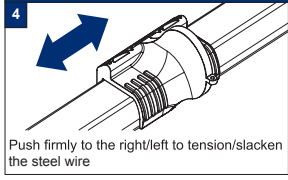
Installation sequence



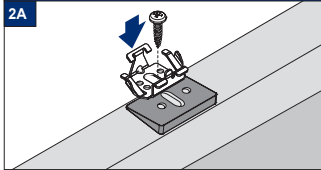
Attached the Blind to the Bracket



Tensioning/slackening the steel wire

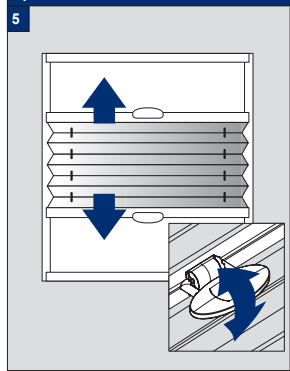


Wedge (11°) for slanting window frames/beads



Subject to technical changes

Operation



Removing the Blind

