



WARNING!

All cord operated free-hanging blinds and Duette® Shades are supplied with a Breakway Tassel on the pull cords which also acts as a stop to prevent cords being pulled back in to the blind. A Cleat will also be supplied to be installed in the window.

Fixed Tension Bottom Bar is safe by design.

All LiteRise blinds are safe by design.

How to fix the Cleat:

1. Screw cleat tightly against the wall in the window recess.
2. Remember to secure cords after each operation of the blind.



Hallis Hudson Group Limited,

Unit C34, Red Scar Business Park, Longridge Road, Preston, Lancashire, PR2 5NN

Made to Measure Window Blinds

20mm Duette® Shades Blinds

Fitting Instructions For:
Free-hanging Blinds

This pleated blind was custom built to your exact requirements. High quality materials and a design that is perfect in function and elegance guarantee a lifetime of long service.

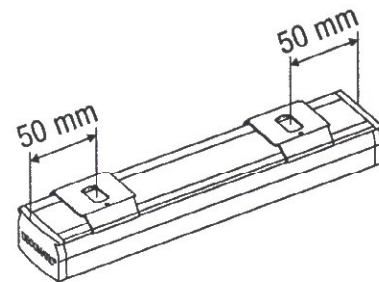
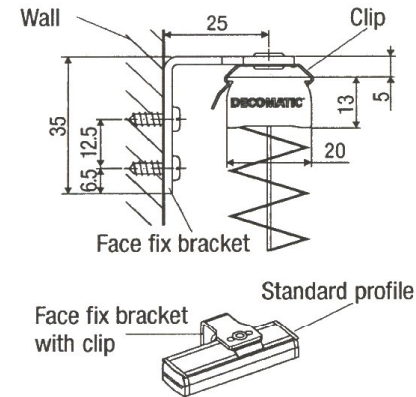
Please read the following instructions carefully before installing your blinds

CARE OF FABRICS

All Duette® Shades fabrics are manufactured with an antistatic finish and are therefore more resistant to dust and dirt. Occasional brushing with a soft brush or vacuuming with the curtain attachment of your vacuum cleaner is usually sufficient.

Fixing with the Top Fix Spring Clip

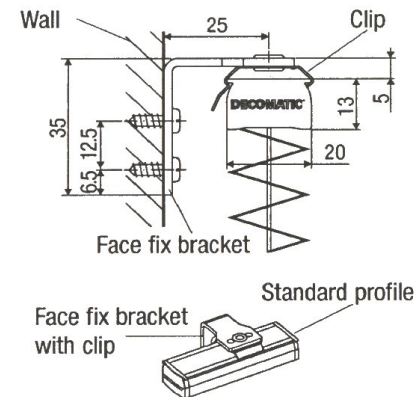
This bracket is used to mount the blind directly to the ceiling or soffit of the window. The distance between the bracket and the end of the head rail should be 50mm at each side. Any remaining brackets should be spaced evenly between the end brackets.



To mount the blind insert the head rail into the front edge of the clip and press the back of the rail into the bracket. To remove the blind press the projecting clip at the back of the blind upwards (a screwdriver may be required to do this). The profile will then be released from the bracket and the blind can be removed.

Face Fixing

When using the face fix brackets they should be fitted to the wall or window frame as closely as possible to the ceiling or lintel with the same spacing as recommended for the top fix brackets. The blind is mounted to the brackets in exactly the same manner as when using the top fix bracket.



Operation

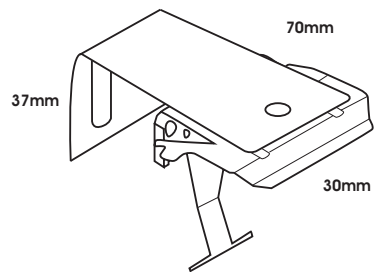
To raise the blind, pull the cord vertically downwards, release the cord when the blind has reached the desired position and the cord lock will hold the blind in position. To lower the blind, pull the cord to the middle of the blind (you will hear a click when the cord lock is released), lower the blind to the required drop and return the cord to the vertical position to engage the lock.

Duette® Shades Motorised

FITTING THE BATTERY TUBE

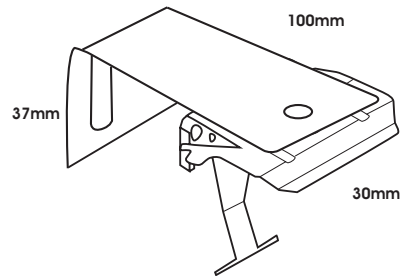
Duette® Extension Brackets

These allow the battery tube to be mounted directly to the bracket. The battery tube can also be top or face fixed to the wall/ceiling using the brackets supplied with the battery tube.



SIG/AV/297809

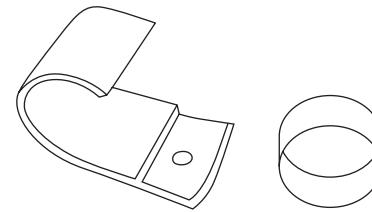
Motorised 40mm Clearance Bracket



SIG/AV/297805

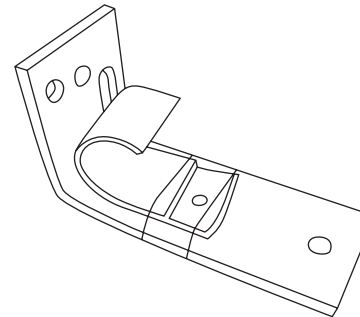
Motorised 70mm Clearance Bracket

FITTING THE BATTERY TUBE BRACKETS



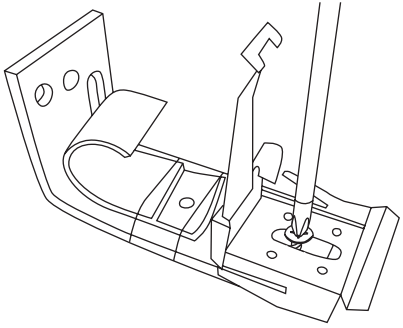
Step 1

Using the bands and battery clips supplied attach them to your chosen clearance

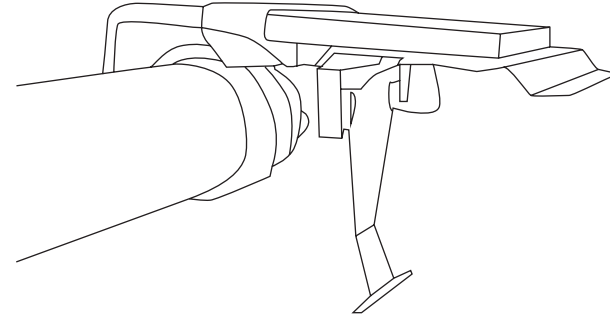


Step 2

Top fix the standard Duette® bracket to the underside of the clearance bracket using the screws provided and tighten with a screwdriver

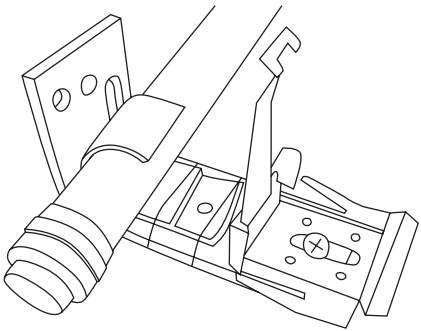


Step 3
Mount the battery tube to the battery clip that is mounted to the clearance bracket



Step 5
Attach the Blind to the bracket in front of the battery tube

FITTING THE BATTERY TUBE TO THE WALL/CEILING



Step 4
Face fix the bracket to the wall ensuring the distance between each bracket is sufficient to hold the battery tube in place



Alternatively, the Battery Tube can be top or face fixed to the wall/ceiling using the brackets supplied with the Battery Tube