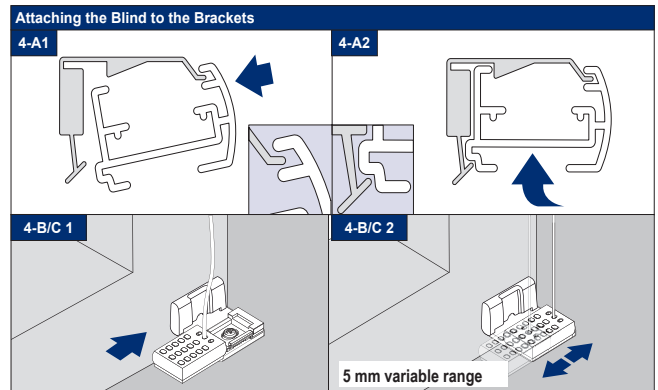
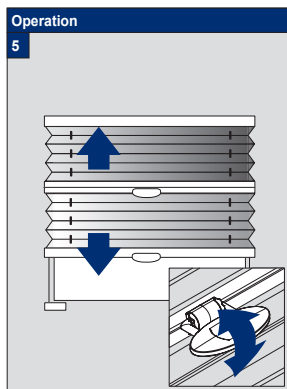
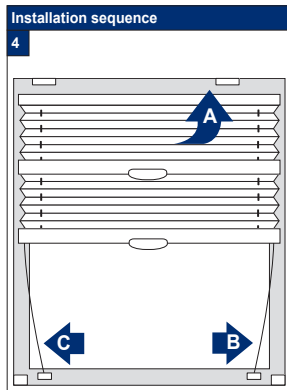
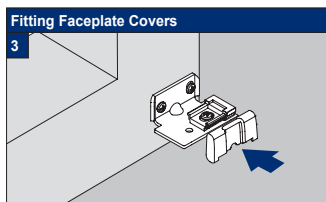
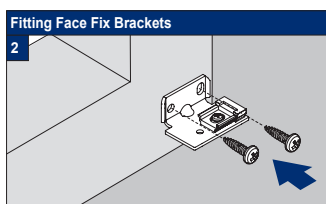
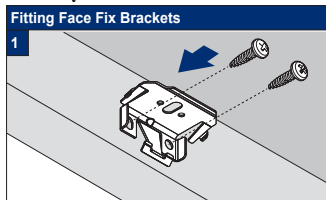
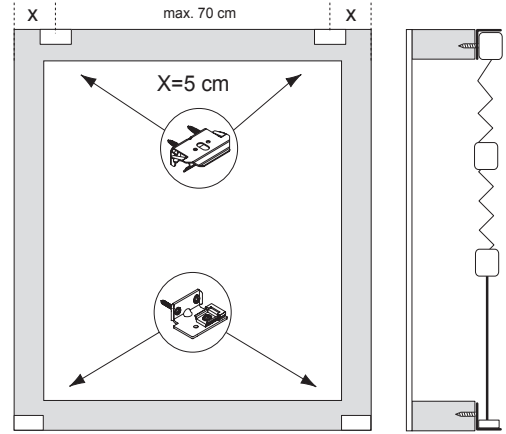
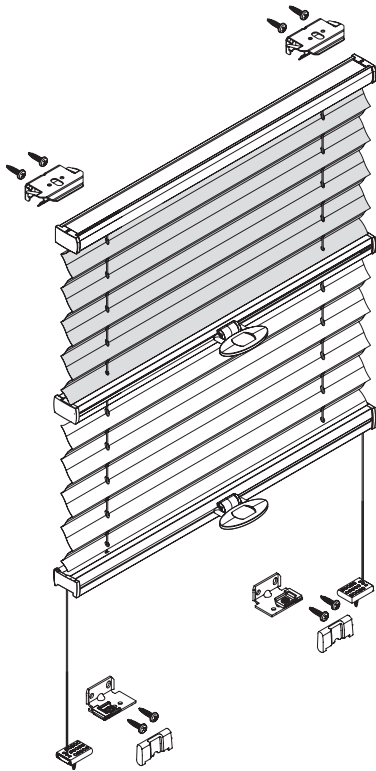


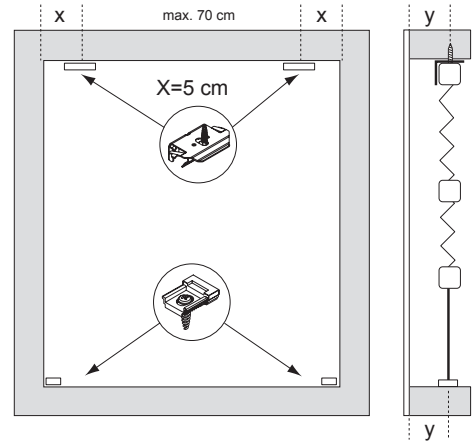
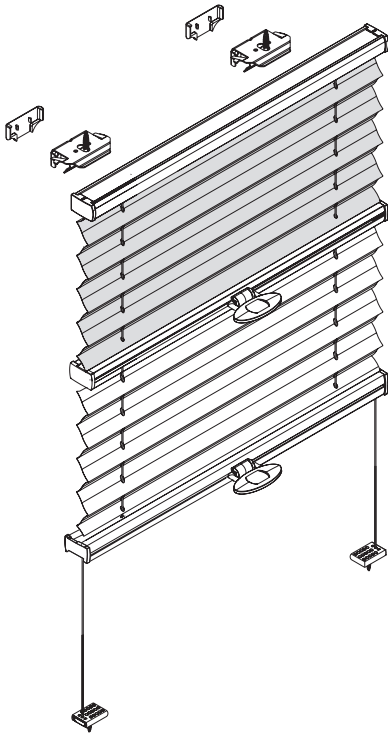
Facefix Installation

Duette® Shades - Cord Tensioned, Day & Night (BB30)



Topfix/Recess Installation

Duette® Shades - Cord Tensioned, Day & Night



Cover installation

1

Fitting Top Fix Brackets

2

Installation sequence

4

Attaching the Blind to the Brackets

4-A1

4-A2

4-B/C 1

4-B/C 2

5 mm variable range

Fitting Bottom Footplate

3

10 mm

Operation

5

Removing the Blind

Subject to technical changes