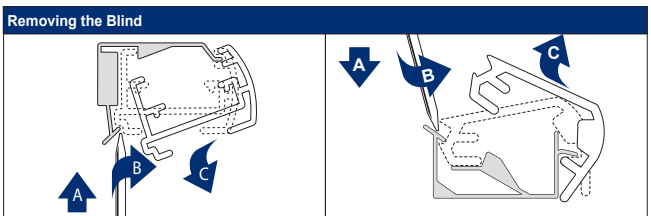
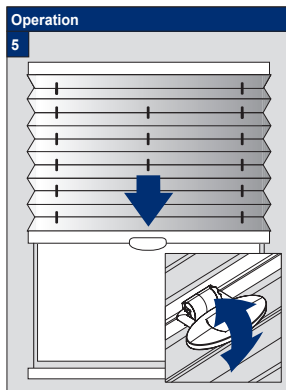
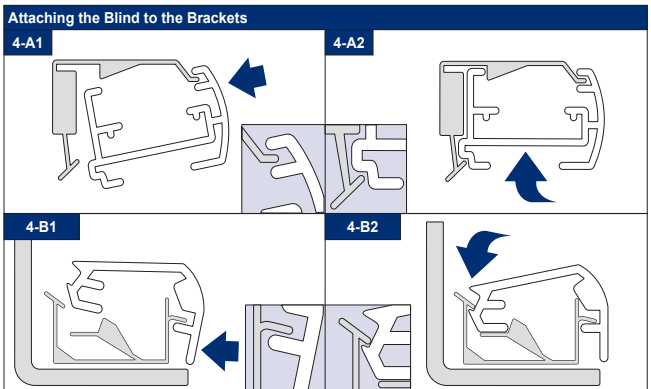
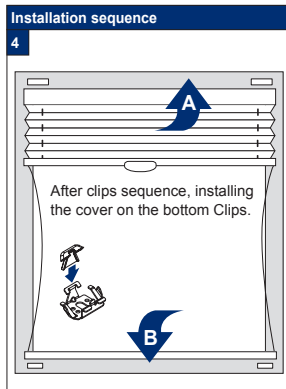
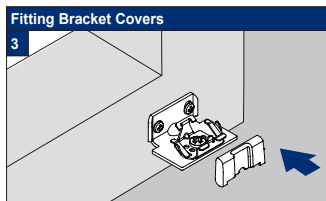
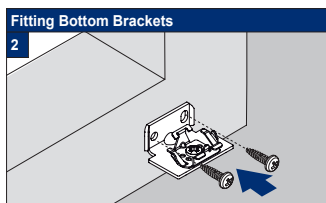
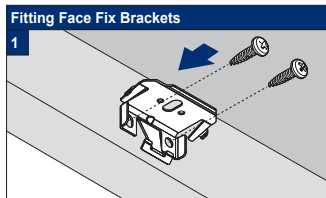
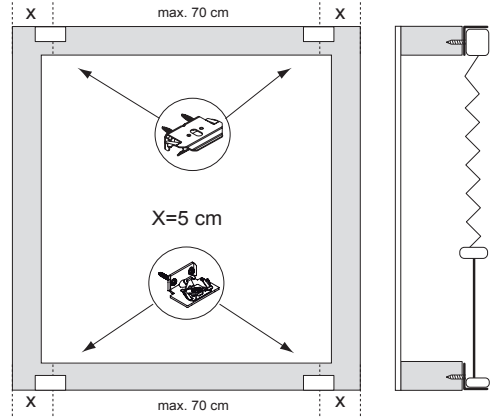
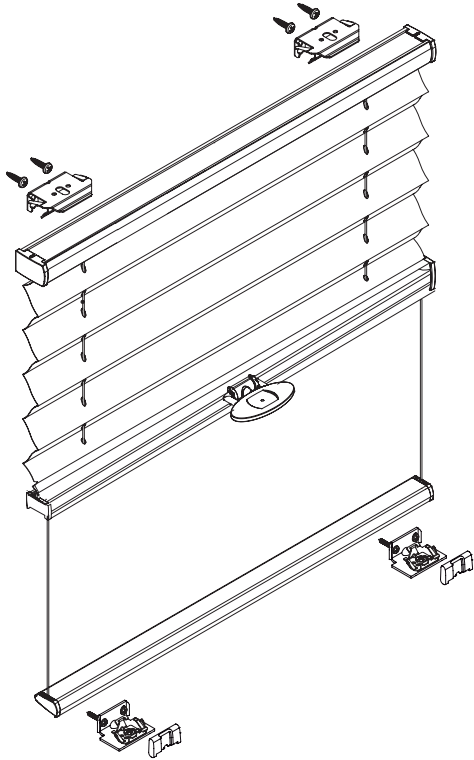


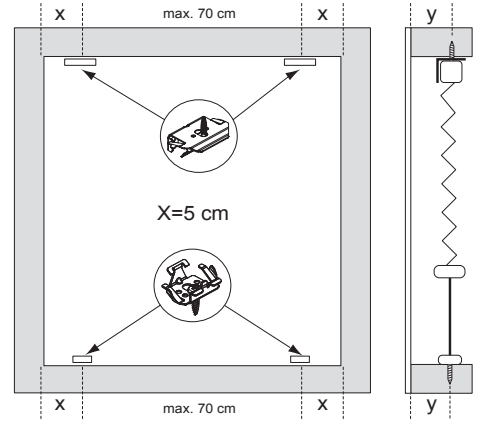
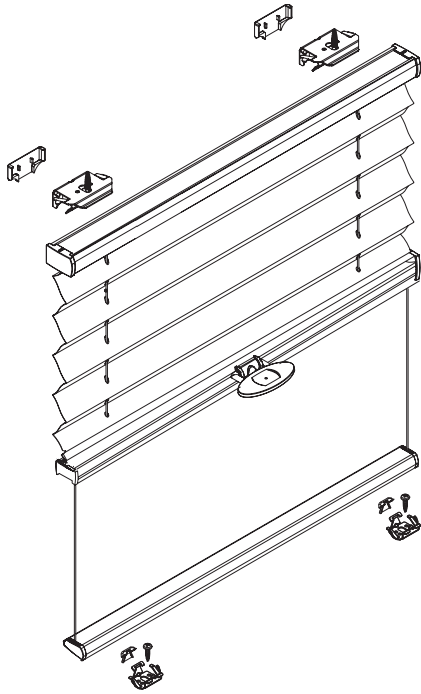
Facefix Installation

Duette® Shades - Cord Tensioned with Fixing Rail (BB10T)



Topfix/Recess Installation

Duette® Shades - Cord Tensioned with Fixing Rail



Cover installation

1

Fitting Top Fix Brackets

2

Installation sequence

4

After clips sequence, installing the cover on the bottom Clips.

Attaching the Blind to the Brackets

4-A1

4-A2

4-B1

4-B2

Fitting Bottom Brackets

3

Operation

5

Removing the Blind

Subject to technical changes