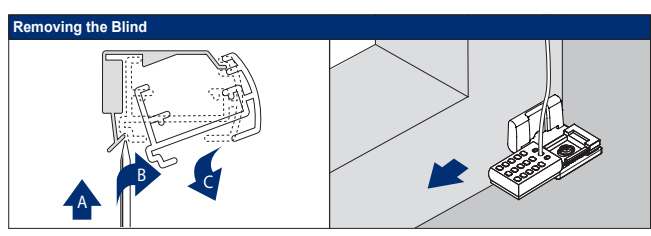
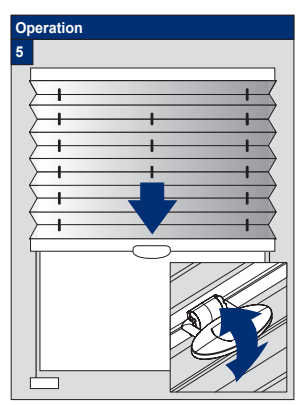
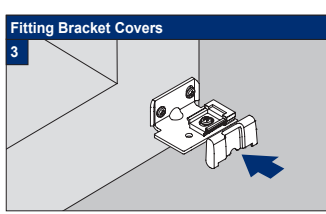
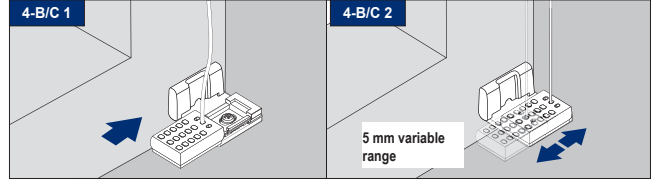
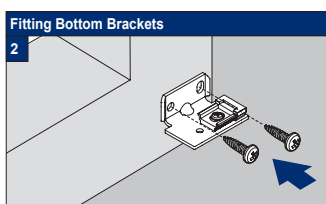
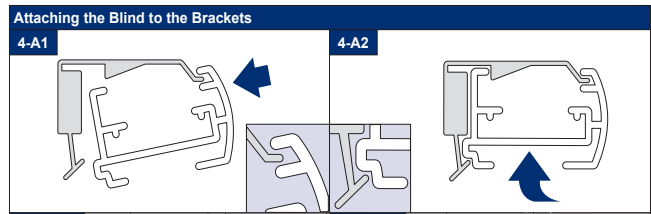
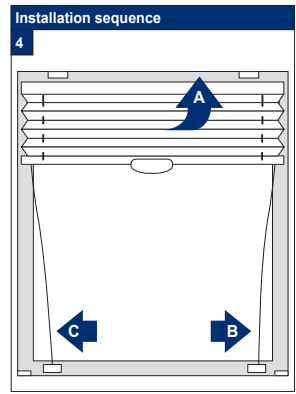
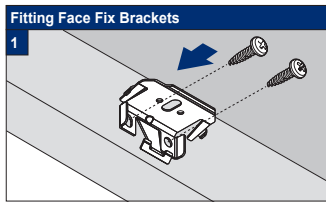
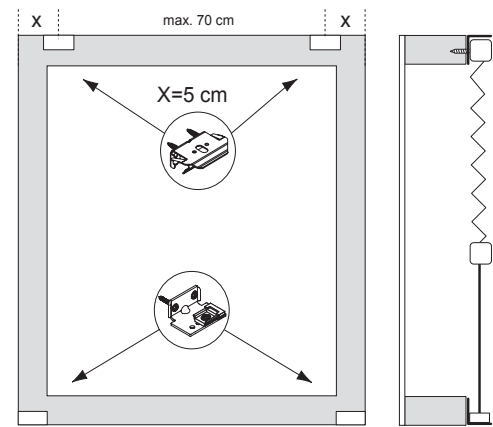
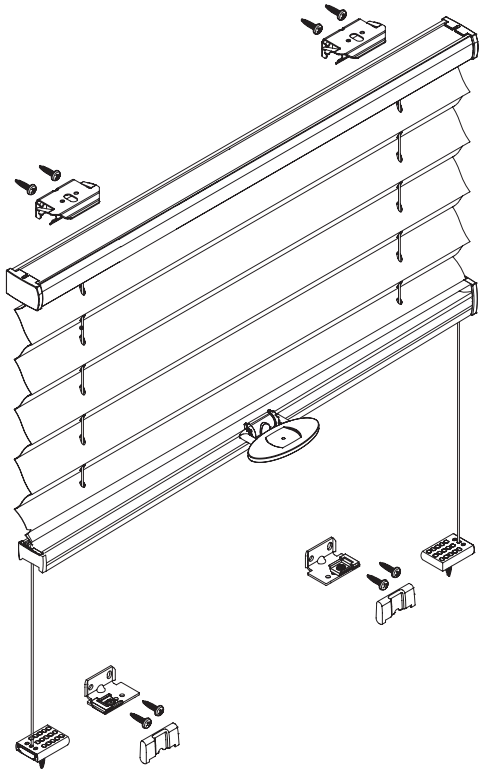


# Facefix Installation

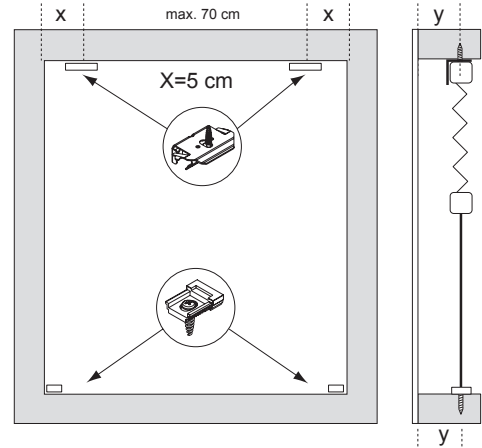
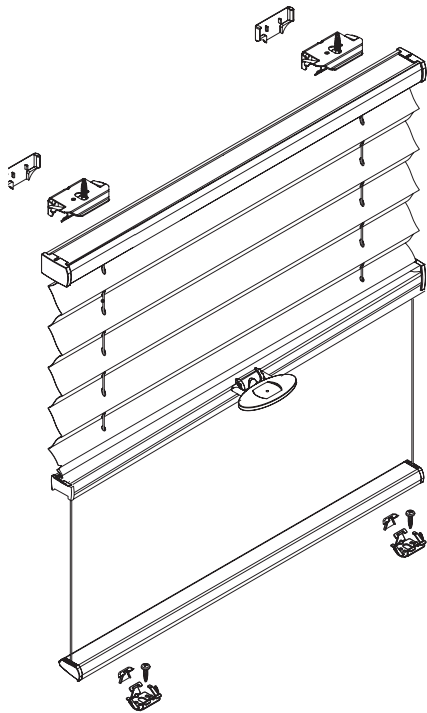
## Duette® Shades - Cord Tensioned (BB10)



Subject to technical changes

# Topfix/Recess Installation

## Duette® Shades - Cord Tensioned



<p><b>Pre installation</b></p>	<p><b>Installation sequence</b></p> <p>4</p>	<p><b>Attaching the blind to the Headrail</b></p>	
<p><b>Fitting Top Fix Brackets</b></p>	<p>4-A1</p>	<p>4-A2</p>	
<p><b>Fitting Bottom Brackets</b></p>	<p>4-B/C 1</p>	<p>4-B/C 2</p> <p>5 mm variable range</p>	
<p><b>Operation</b></p> <p>5</p>	<p><b>Removing the Blind</b></p>		

subject to technical changes