

# FaceFix installation to a window frame / wall

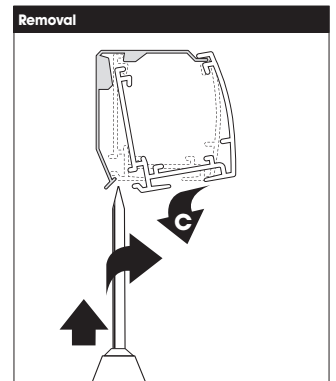
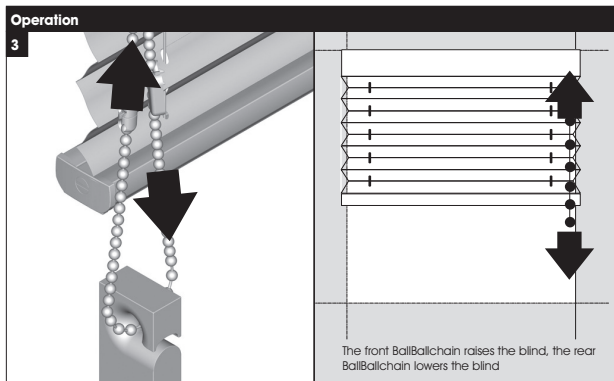
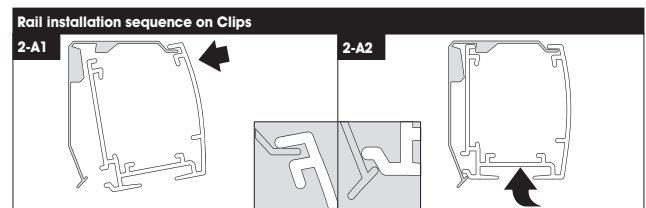
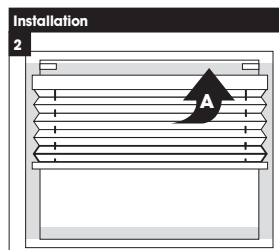
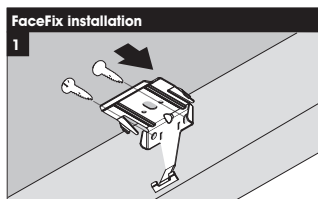
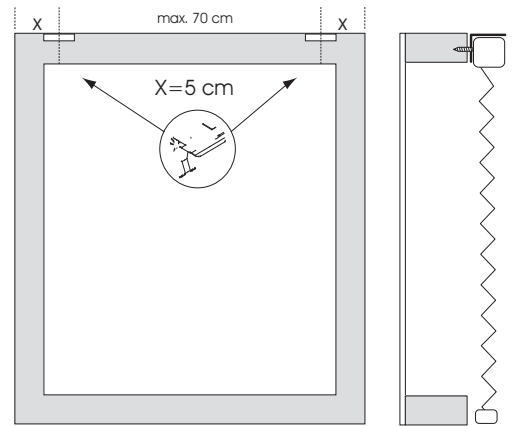
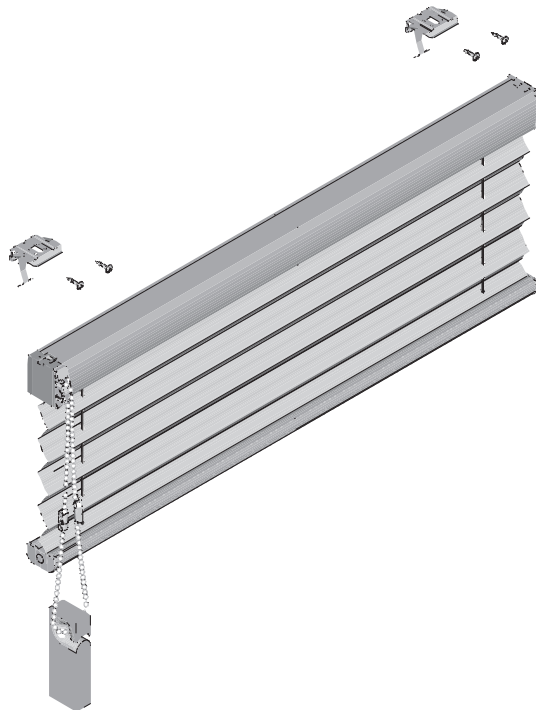


**!** Do not damage the product when using a sharp knife to open the packaging! Fitting screws: Use a size-2 screwdriver (POZIDRIVE) or use an electric screwdriver at it's lowest torque . Rail removal: Use a flat screwdriver of max. 6 mm wide. Only use the original screws enclosed, to prevent malfunctioning from using too thick screw heads!

**Model  
AK10**

## WARNING

Young children can be strangled by loops in pull cords, chains, tapes and inner cords that operate the product. They can also wrap cords around their necks . To avoid strangulation and entanglement, keep cords out of reach of young children. Move beds, cots and furniture away from window covering cords. Do not tie cords together. Make sure cords do not twist and create a loop. Install and use the included safety devices according to the installation instructions on these devices to reduce possibility of such an accident. According to EN 13120



Subject to technical changes

18-04-2014

# Installation TopFix / RecessFix

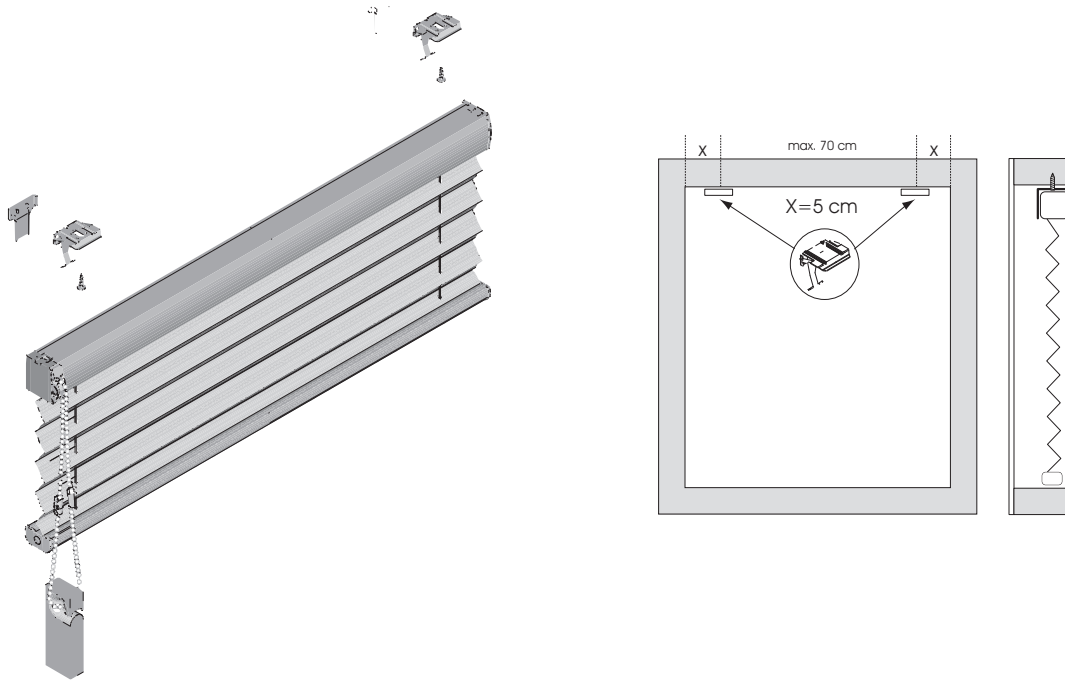


**!** Do not damage the product when using a sharp knife to open the packaging! Fitting screws: Use a size-2 screwdriver (POZIDRIVE) or use an electric screwdriver at it's lowest torque. Rail removal: Use a flat screwdriver of max. 6 mm wide. Only use the original screws enclosed, to prevent malfunctioning from using too thick screw heads!

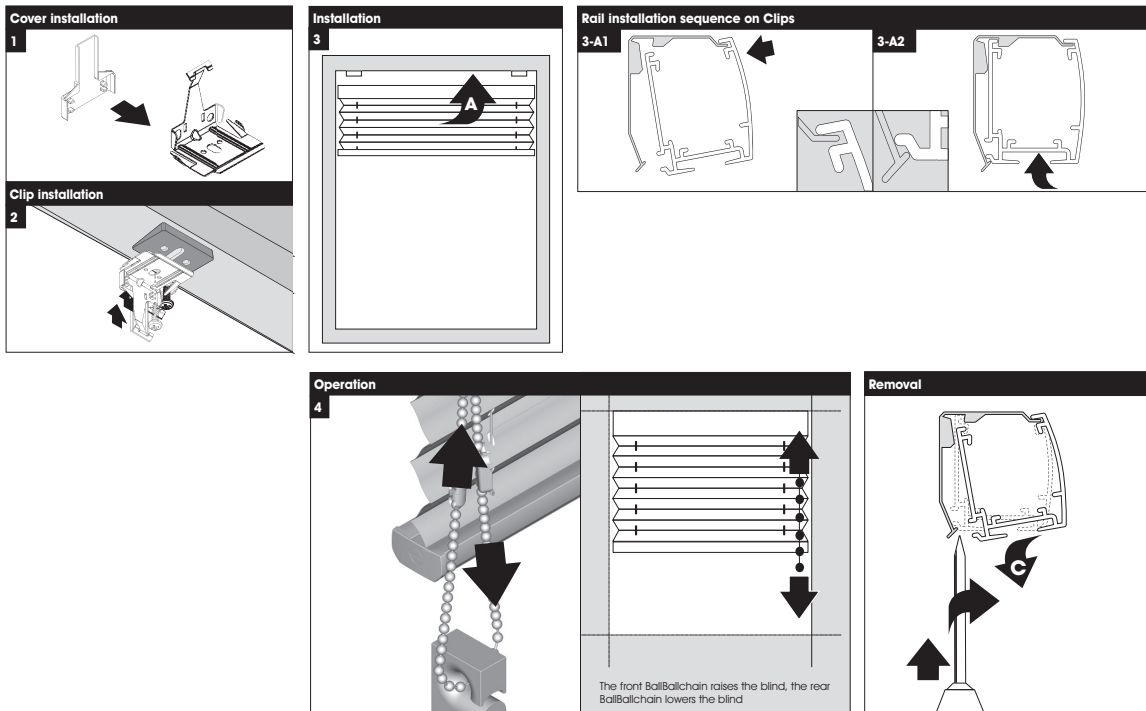
**Model  
AK10**

## WARNING

Young children can be strangled by loops in pull cords, chains, tapes and inner cords that operate the product. They can also wrap cords around their necks. To avoid strangulation and entanglement, keep cords out of reach of young children. Move beds, cots and furniture away from window covering cords. Do not tie cords together. Make sure cords do not twist and create a loop. Install and use the included safety devices according to the installation instructions on these devices to reduce possibility of such an accident. According to EN 13120



18-04-2014



Subject to technical changes