

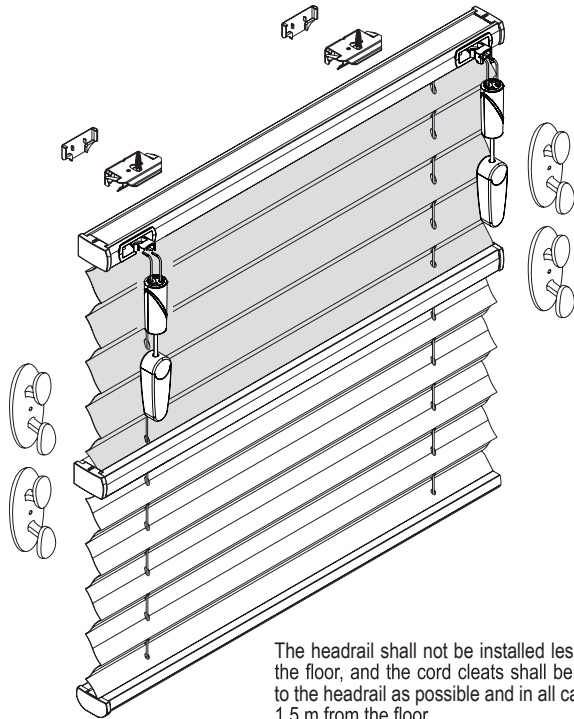
# Facefix Installation

## Duette® Shades - Standard Cord, Day & Night (AO30)

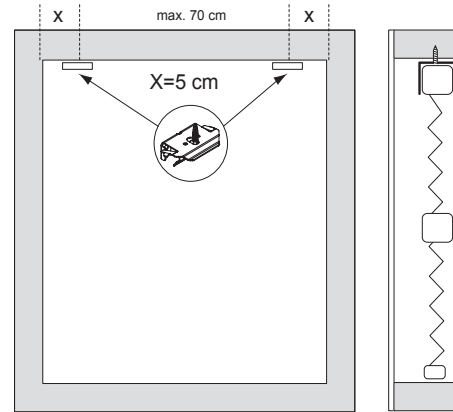


### WARNING

Young children can be strangled by loops in pull cords, chains, tapes and inner cords that operate the product. They can also wrap cords around their necks. To avoid strangulation and entanglement, keep cords out of reach of young children. Move beds, cots and furniture away from window covering cords. Do not tie cords together. Make sure cords do not twist and create a loop. Install and use the included safety devices according to the installation instructions on these devices to reduce possibility of such an accident. According to EN 13120.



The headrail shall not be installed less than 1,5 m from the floor, and the cord cleats shall be installed as close to the headrail as possible and in all cases, not less than 1,5 m from the floor.



**Fitting the Bracket Cover**

1

**Fitting the Top Fix Brackets**

2

**Installation**

3

**Attaching the Blind to the Brackets**

3-A1

3-A2

**Operation: Release and move the blind**

4

**Stop and secure the blind**

Cordlock releasing, by moving the cord to the middle

Cordlock securing by moving the cord to the outside

**Removing the Blind**

\* Do not raise bottomrail higher than the midrail to avoid a strangulation loop

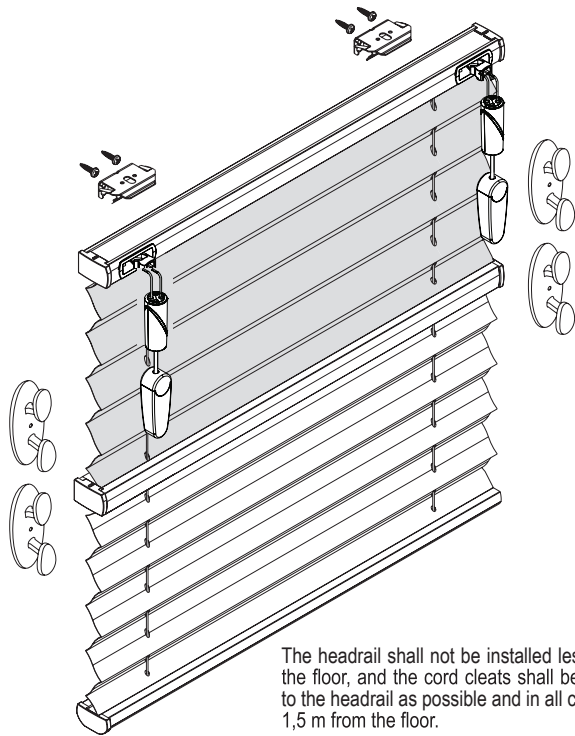
# Topfix/Recess Installation

## Duette® Shades - Standard Cord, Day & Night

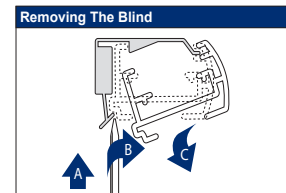
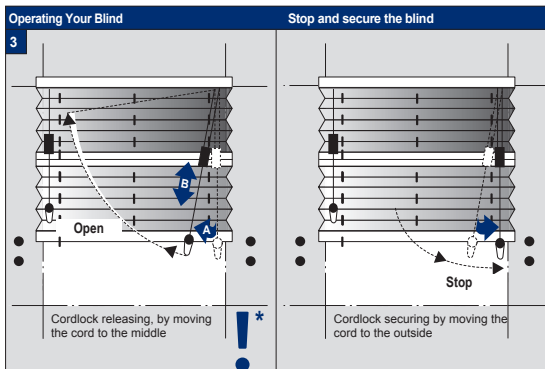
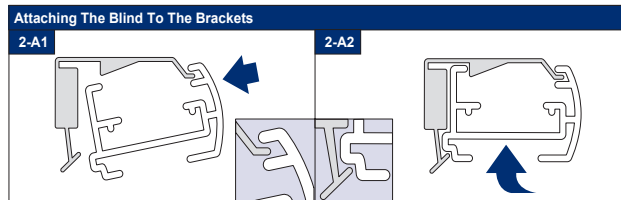
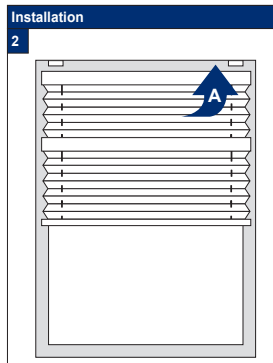
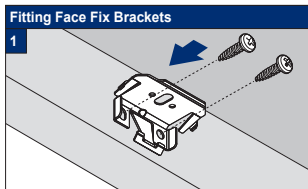
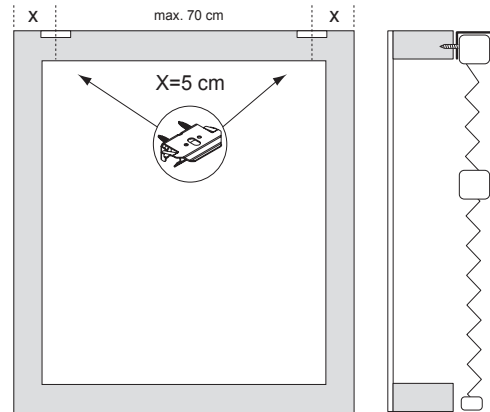


### WARNING

Young children can be strangled by loops in pull cords, chains, tapes and inner cords that operate the product. They can also wrap cords around their necks. To avoid strangulation and entanglement, keep cords out of reach of young children. Move beds, cots and furniture away from window covering cords. Do not tie cords together. Make sure cords do not twist and create a loop. Install and use the included safety devices according to the installation instructions on these devices to reduce possibility of such an accident. According to EN 13120.



The headrail shall not be installed less than 1,5 m from the floor, and the cord cleats shall be installed as close to the headrail as possible and in all cases, not less than 1,5 m from the floor.



! \* Do not raise bottomrail higher than the midrail to avoid a strangulation loop

Subject to technical changes