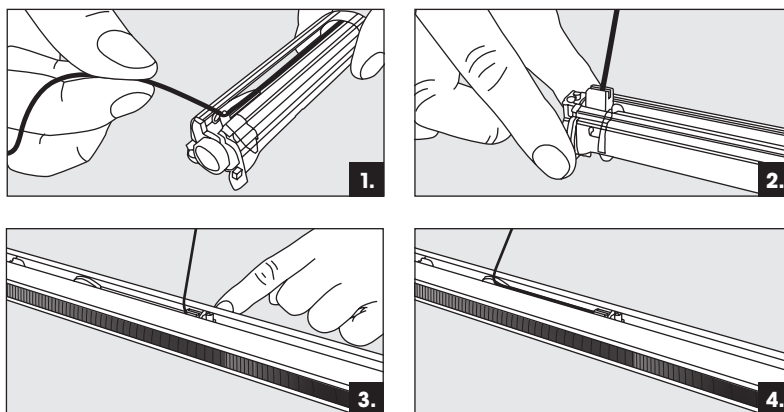


Professional Dual Rise Roman Blind System

HALLIS HUDSON
DUAL RISE
for PROFESSIONAL

how to... adjust your spools...

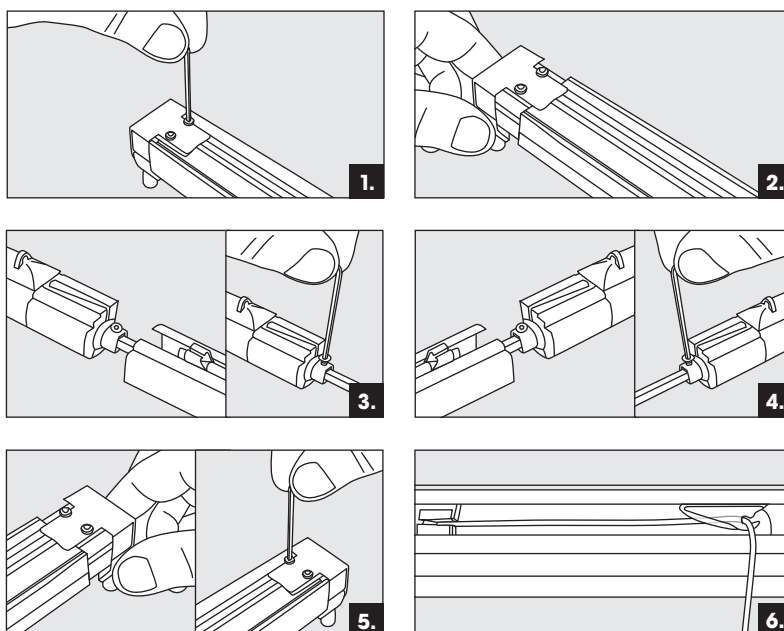
- Step 1.** Ensure the cords are fully unwound.
- Step 2.** Remove the cord from the cord guide.
- Step 3.** Pull the grey button..
- Step 4.** Re-position your spool and push each grey button down to lock them into place.
- Step 5.** Re-attach the cord to the cord guide, at the opposite end of the spool.



IMPORTANT: please check all grey buttons have been pushed down and the cord is attached to the cord guide before operating your blind.

how to... change the control side of your Dual Rise Roman Blind...

- Step 1.** Using a T10 torx allen key undo both screws on the underside of the blind being careful not to fully undo.
- Step 2.** Pull out the Dual Rise gear mechanism from the headrail then turn the blind back over.
- Step 3.** Pull the mechanism completely out of the headrail and undo the screw which secures the axle rod to the gear housing.
- Step 4.** Re-fit the axle rod at the opposite end of the blind making sure its securely held in place, then push the Dual Rise gear mechanism back inside the headrail about 3/4 of the way in.
- Step 5.** Turn the headrail over and lift the flap up and push the gear housing all the way in securely, then tighten both screws with a T10 torx allen key.
- Step 6.** Re-adjust the position of your spools accordingly making sure both the grey buttons are pushed down firmly and the cord is properly fed through the cord guide.



how to... fit a longer chain or wand to your Dual Rise Roman Blind...

- Step 1.** Pull back the white cover and remove the chain from the clear clip.
- Step 2.** Slide the cord pull up the chain to reveal the connector.
- Step 3.** Unclip the cord connector from the chain.
- Step 4.** Using a small pick or similar pull back the white cap from one of the Dual Rise cords to reveal the ball chain connector.
- Step 5.** Attach your new chain or wand to the ball chain connector.
- Step 6.** (Skip this step if you have fitted a wand) Take your chosen cord pull and pass your chain through the small opening then fit the 0908R connector to the bottom of the chain. Repeat steps 4,5 & 6 for the other Dual Rise cord.

