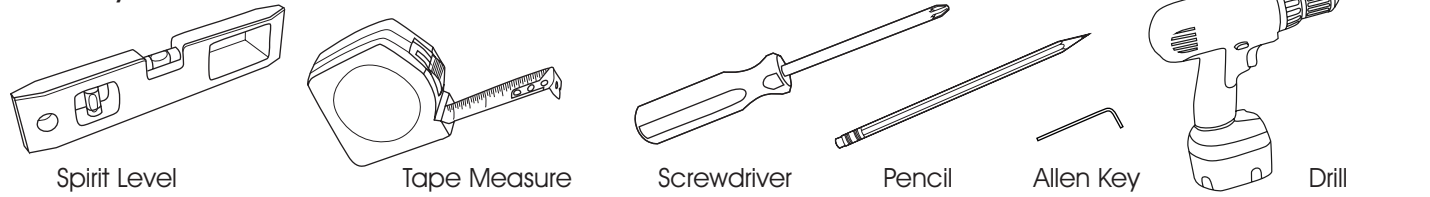


Tracked Wood Pole

Fitting Instructions

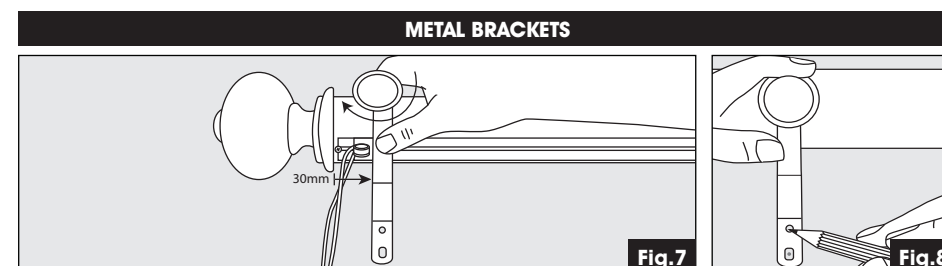
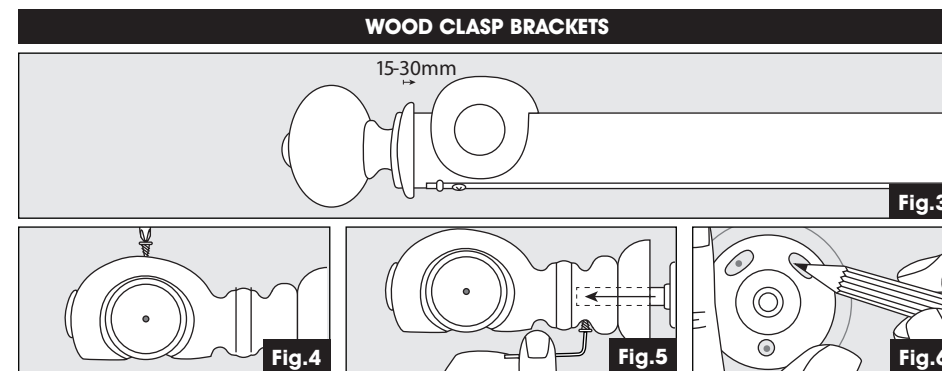
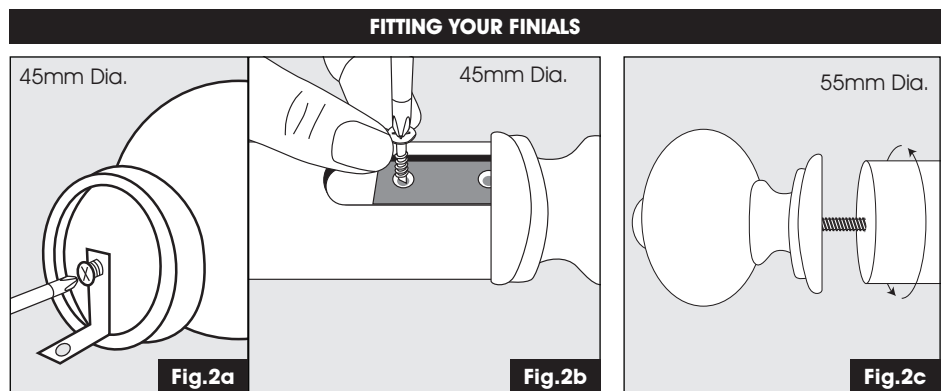
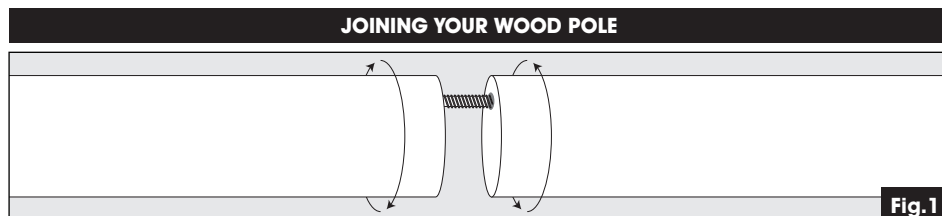
Tools you will need...



TRACKED WOOD POLE APPROXIMATE WEIGHT LIMITS					
Standard (2C) or Roller gliders	200cm	300cm	Wave (2C) or Wave Roller gliders	200cm	300cm
	12kg	11kg		5kg	8kg
	14kg	13kg		5kg	8kg

The weights shown are for poles supplied in one piece. If your pole is supplied in two pieces, the above weights are per side. **IMPORTANT:** These weight limits relate to the corded track only. Please ensure that suitable wall fixings and the appropriate number of brackets are used, to handle the weight of your curtains and pressure of cord being pulled.

how to fit your Tracked Wood Pole...



Step 1: Joining your pole

Where poles are supplied in more than one piece, join the pole sections together using the double ended joining screw supplied.

Step 2: Fitting Your Finials

If using clasp brackets, please slide the brackets onto your pole at this point, before attaching your finials.

For a 45mm diameter pole attach the L shaped bracket provided to the finial(s) (Fig. 2a). Once firmly attached to the finial, position finial on the pole and attach the bracket to the top of the pole, using the screws provided (Fig. 2b).

For a 55mm diameter pole attach the finial(s) to the pole using the double ended joining screw supplied. Please note, the finer thread of the joining screw goes into the finial (Fig. 2c).

Step 3: Mark your Screw Positions

To ensure that the brackets sit on the pole in the ideal position, we recommend fitting the brackets onto the pole and using this as a template to determine where on the wall the brackets are to be fitted. This varies by bracket type as follows:

Wood Clasp Brackets

At this point your clasp brackets should already be on the pole, but not yet fixed. If not, please remove the finial(s) and slide the clasp brackets onto your pole.

Place the brackets 15-30mm from each end of the pole (Fig. 3), then screw through the hole in the bracket to secure the bracket to the pole (Fig. 4)

For center brackets, you may need to use a smaller screw than the one supplied with the bracket, due to the position of the joining screw in the pole. We have supplied an additional small wood screw for this purpose.

With the brackets attached, hold the pole in your desired position. Next, draw around each of the bracket bases, ensuring that the pole is level.

Using the allen key provided unscrew the backplate from the bracket (Fig. 5).

Position the back plate in the centre of the drawn circle ensuring the hole on the stem of the backplate is facing upwards and mark the screw positions (Fig. 6).

Metal Brackets

Fit the brackets in between the cord and the spring stop, which is approximately 30mm from the end of the pole then tighten the screw plate on the front of the bracket (Fig. 7).

With brackets attached, hold the pole to the wall and mark the screw positions, ensuring that the pole is level (Fig. 8).

WOOD RECESS BRACKETS

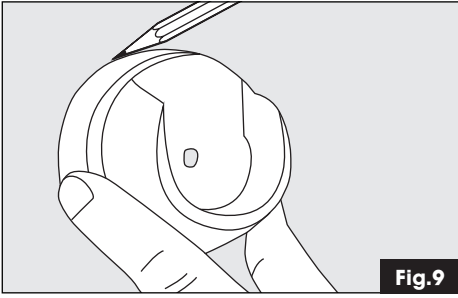


Fig. 9

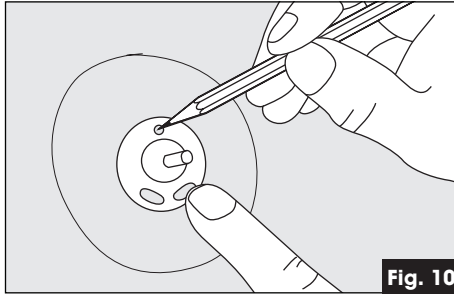


Fig. 10

Wood Recess Brackets

Place the recess bracket on the wall approximately 10cm higher than the top of the window to bottom of bracket.

If your recess bracket has a back plate, draw around the bracket (Fig. 9), then detach the back plate and mark the drill holes (Fig. 10).

If your recess bracket does not have a back plate, mark the drill hole through the centre of the bracket.

If using two recess brackets, repeat for the other side, ensuring that the brackets are positioned level.

RECESS BRACKETS

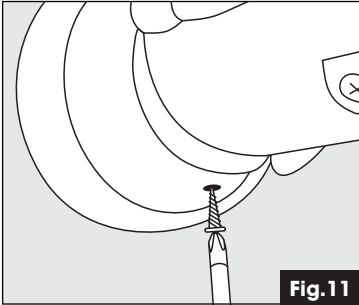


Fig. 11

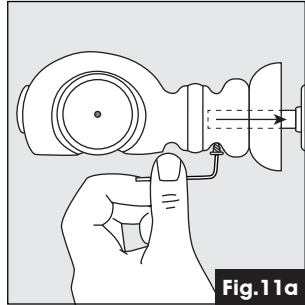


Fig. 11a

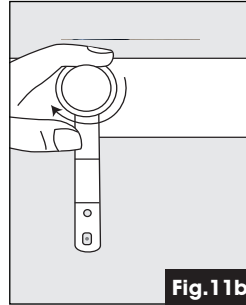


Fig. 11b

Step 4: Fix the Brackets

Always ensure that the correct screws and plugs are used for your wall type.

If using Clasp Brackets: Fit the backplates to the wall using suitable fixings. Place the pole and brackets in to the backplates and fix the brackets to the plates using the grub screws and allen key provided (fig. 11 a).

If using Metal Brackets: Detach the pole from the brackets, then fit the brackets to the wall using suitable fixings. Place the pole into the brackets and tighten the screw plate on the front of the bracket to secure the pole into position (fig. 11 b).

If using Recess Brackets: Fit the back plate(s) or bracket(s) to the wall using suitable fixings. If your brackets have back plates, attach the brackets to the back plates once they are fitted to the wall. Now rest your pole into the brackets.

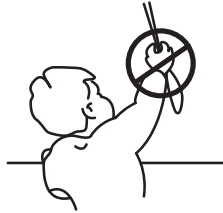
Some recess brackets are also supplied with an additional screw, which can be screwed through the cup of the bracket and into the pole (Fig. 11)

⚠ WARNING

Young children can be strangled by loops in pull cords, chains, tapes and inner cords that operate this product.

To avoid strangulation and entanglement, keep cords out of reach of young children. Cords may become wrapped around a child's neck.

Move beds, cots and furniture away from window covering cords. Do not tie cords together. Make sure cords do not twist and create a loop.



CORD TENSION DEVICE

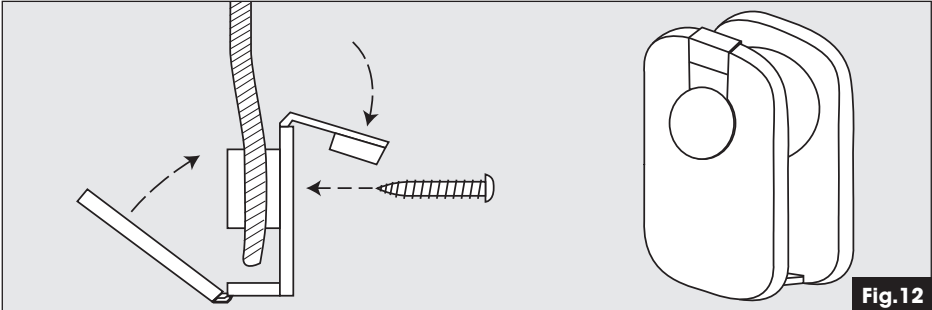


Fig. 12

METAL TENSION PULLEY

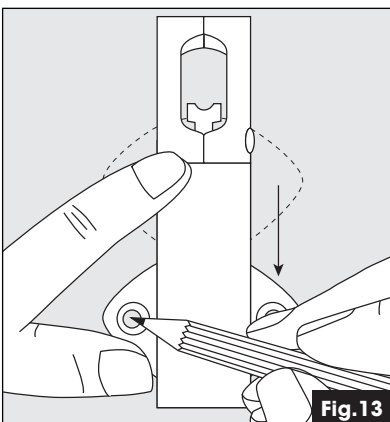


Fig. 13

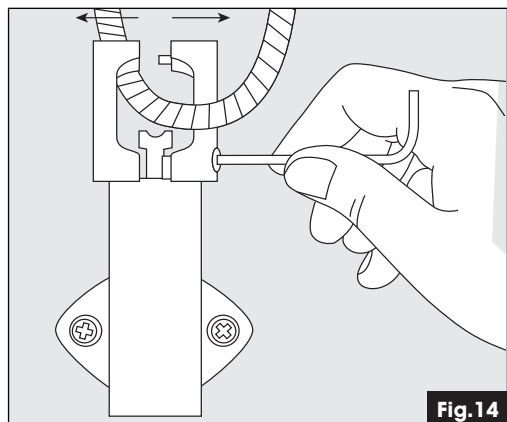


Fig. 14

Step 5: Fitting Your Cord Safety Device

Child Safety Warning: Installation of the cord retainer must be at a minimum of 150cm from the floor. If you cannot fit the device at least 150cm from the floor with sufficient tension on the cord, please contact our office for guidance in shortening the cord.

Open the device, by pulling down the rear panel. Place the cord around the pulley to install the cord. Lift the top screw cover to reveal the screw hole. Place against the wall or window frame at least 150cm from the floor and mark the screw holes. Fit to the wall using the appropriate plugs and screws for your wall type.

Close the screw cover of the tensioner to hide the wall fixings.

If using a Metal Tension Pulley: Pull the back plate on the tensioner down, place against the wall or window frame at least 150cm from the floor and mark the screw holes. Fit to the wall using the appropriate plugs and screws for your wall type (Fig. 14).

Use the Allen Key to open the top of the tensioner and insert the cord (Fig. 14). Close the top of the tensioner and tighten.

