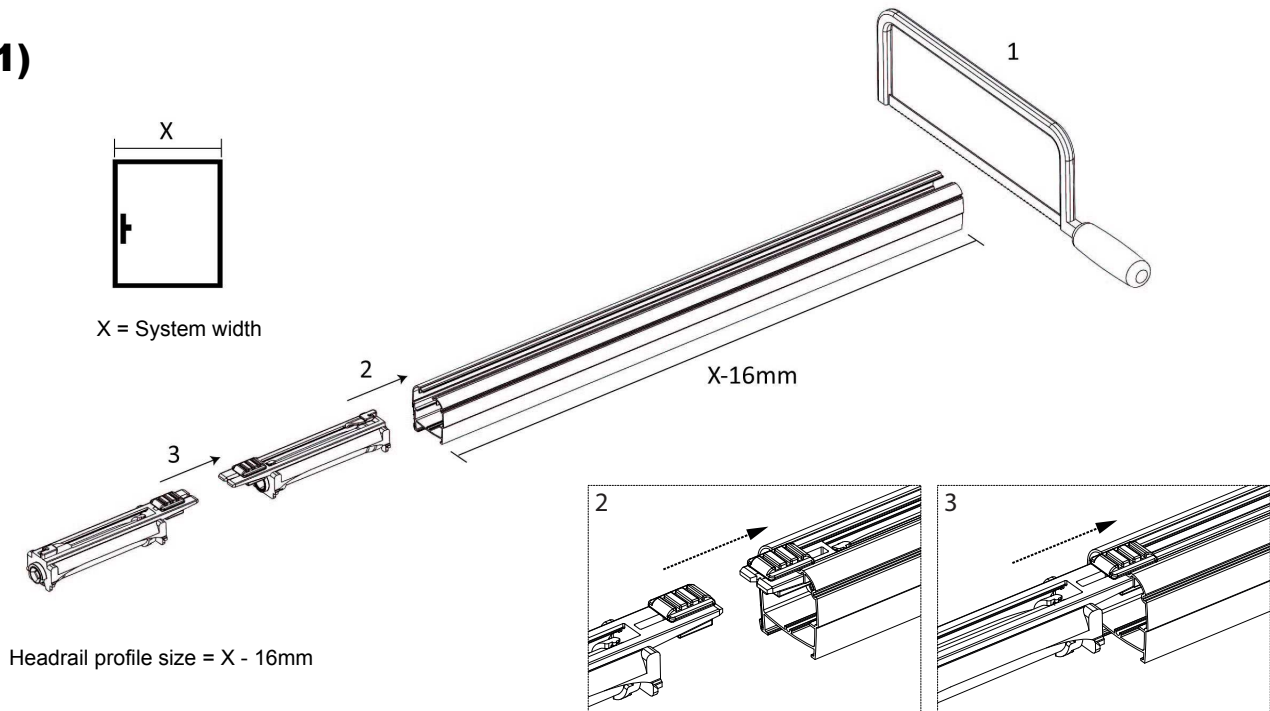


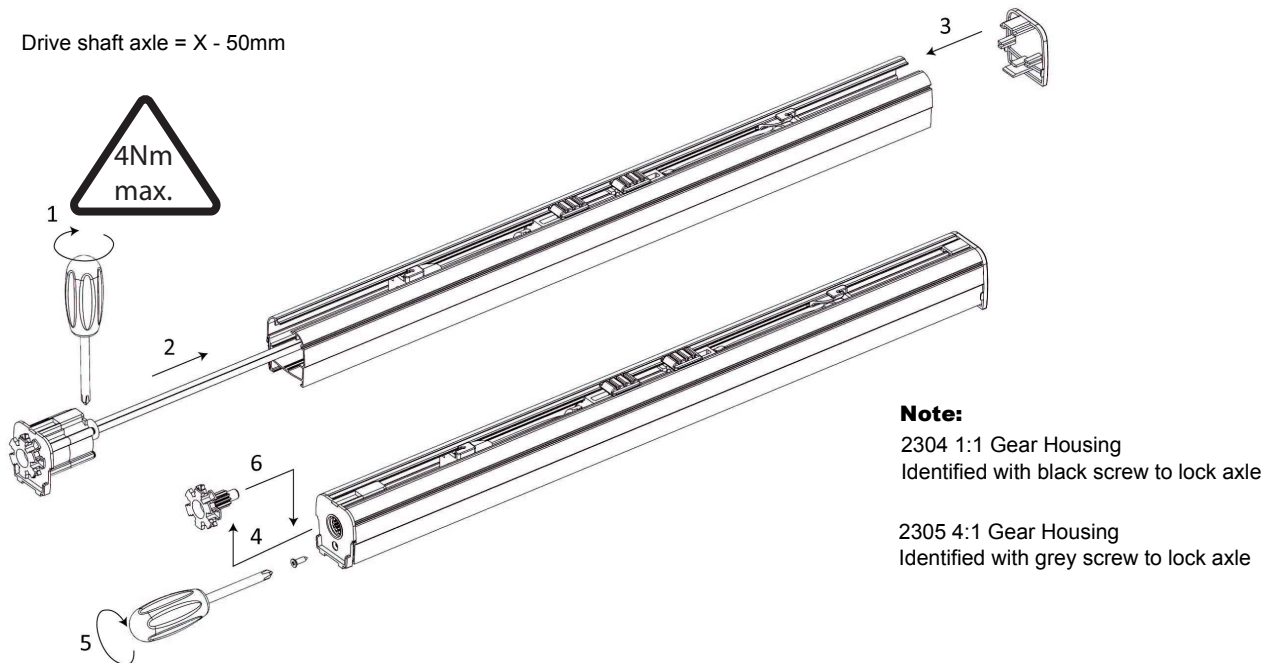
SG 2304N & 2305N ASSEMBLY INSTRUCTIONS

(1)

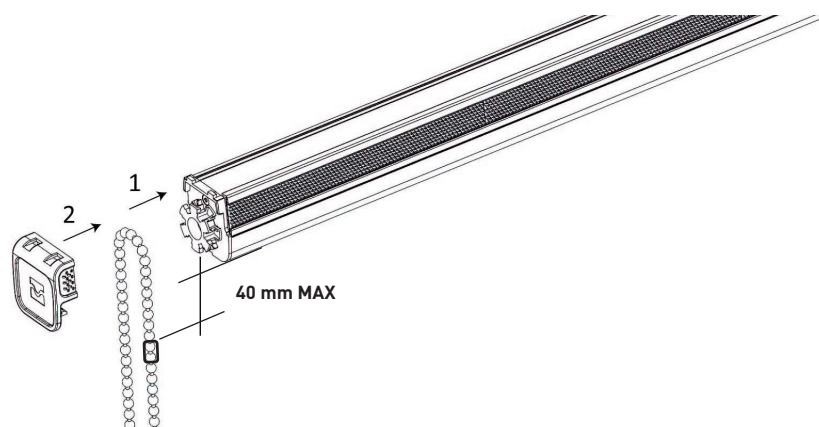


(2)

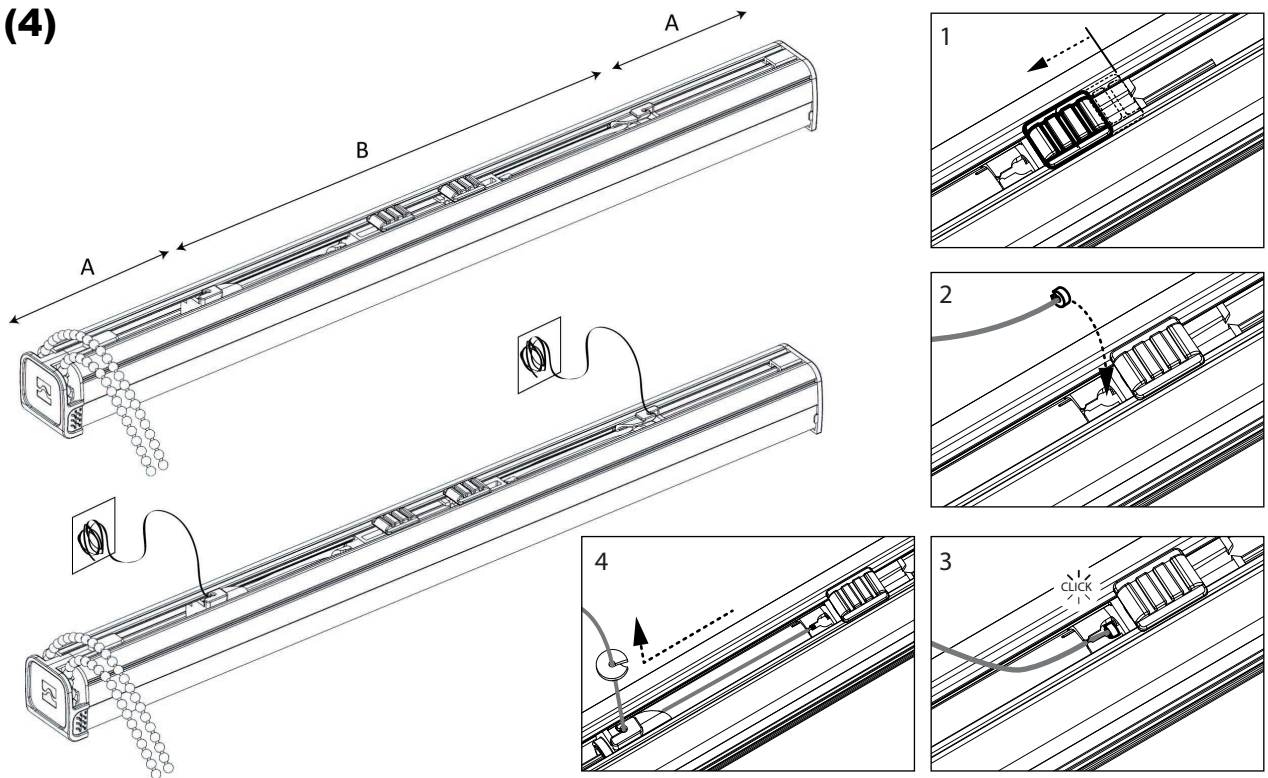
Drive shaft axle = X - 50mm



(3)



(4)



Ensure all spools are aligned as per fig. 4