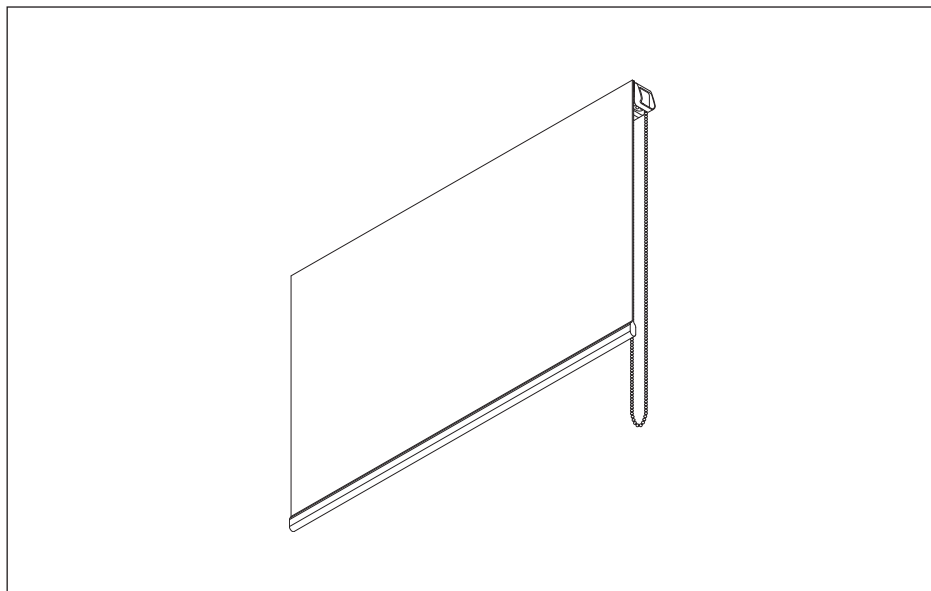


Fitting instructions
February 2019

EN



Chain Operated Roman Blind System
Silent Gliss® 2304 / 2305

Contents

1	General Overview.....	3
1.1	User information.....	3
1.2	Intended use / Guarantee	3
1.3	Other applicable documents	3
1.4	Safety instructions.....	3
1.5	Maintenance, inspection and repair tips.....	3
2	Transportation, Storage	3
2.1	Transportation	3
2.2	Storage.....	3
3	Installation	3
3.1	Installation instructions, aids and personal protection	3
3.2	Motorisation.....	3
3.3	Unpacking	3
3.4	System handling	4
3.5	Overhead and wall installation.....	4
4	Maintenance	4
4.1	Repairs / Inspection.....	4
4.2	Cleaning.....	4
4.3	Care hints for fabrics	4
4.4	Disposal	4
5	EU Conformity.....	4
6	Fitting	5
6.1	(A) 2304 / 2305 (ceiling fix).....	5
6.2	(B) 2304 / 2305 (wall fix).....	6
7	Roman Blind Child Safety Parts - Assembly Instructions	7
7.1	Soft Fold Eyelets.....	7
7.2	Hard Fold Eyelets	7
7.3	Breakaway Bottom Ring Assembly (hard and soft fold blinds)	7
8	Roman Blind Chain Shortening Instructions.....	8
9	Child Safety	9

1 General Overview

1.1 User information

The Operating and Installation Instructions help to acquaint you with the product and its possible applications. They contain important tips to support the correct and safe operation of the product. Please retain a copy of this manual.

It is to be read, understood and adhered to by each person who works with or on the system in the following tasks: installation, operation, maintenance and cleaning, troubleshooting.

This manual does not replace your **personal responsibility** as fitter or operator.

1.2 Intended use / Guarantee

The product is intended for use exclusively in accordance with these specifications and this manual, i.e. for: **Internal shading of windows (no outdoor installation)**.

A different use or use beyond this scope is not considered intended use. The manufacturer / supplier is not liable for any resulting damage. Non-compliance releases Silent Gliss from its liability.

The guarantee excludes faults that are not attributable to material or fabrication faults, but have arisen as a result of incorrect operation by the purchaser or improper care or other personal negligence. Troubleshooting measures falling outside of the guarantee will be carried out by Silent Gliss or another appropriate retailer at the cost of the purchaser.

1.3 Other applicable documents

Every product supplied includes documents that are a component part of the operating and installation instructions: *safety instructions, scale drawing, installation instructions*.

1.4 Safety instructions

The relevant safety laws in the country of operation must be adhered to.

The following tips or symbols are used throughout:



Warning - risk of injury! Highlights possible hazards from mechanical workings which could lead to injury or even death.



Use eye protection! Eye protections must be worn during all drilling work.



General warning sign!
Highlights general information.

The product may be installed only in a faultless condition (no transportation damage, etc.) and only as intended, in awareness of safety and hazards and in accordance with all tips in this manual.

Faults that could impair safety and functionality must be repaired. The user (end customer) must have read and understood the operating instructions after installation and operational start-up are completed.

1.5 Maintenance, inspection and repair tips



Work must only be carried out by qualified specialists.

2 Transportation, Storage

2.1 Transportation



The product may be transported only in suitable and sufficient protective packaging (manufacturer's packaging).

Curved products (rails, etc.) require wooden crating. Waste and packaging material is to be disposed of in line with local regulations.

Keep packaging material out of the reach of children. Packing sheets, Styrofoam pieces and other small parts can be dangerous for children to play with.

2.2 Storage



Products and their accessories are to be stored in suitable packaging in dust-free spaces with normal humidity.

3 Installation

3.1 Installation instructions, aids and personal protection



Local safety regulations must be observed during installation of the product (stable ladders, etc.).



Warning! (if applicable)

Young children can be strangled by loops in pull cords, chains, tapes and inner cords that operate the product. To avoid strangulation and entanglement, keep cords out of the reach of young children. Cords may become wrapped around a child's neck. Move beds, cots and furniture away from window covering cords. Do not tie cords together. Make sure cords do not twist and create a loop.



3.2 Motorisation



Electrical installation must be carried out by a certified electrician in accordance with the legal regulations and standards of the relevant country.

3.3 Unpacking



Unpack components carefully

Waste and packaging material is to be disposed of in line with local regulations. Keep packaging material out of the reach of children. Packing sheets, Styrofoam pieces and other small parts can be dangerous for children to play with. Check delivery items against delivery note.

3.4 System handling



Please note the following during unpacking and installation: a) do not cause contamination from unwashed hands. b) do not allow moisture to get on the fabric. c) avoid causing kinks and snags (e.g. by dragging over surfaces and edges).

3.5 Overhead and wall installation



During installation, window handles and other protruding items and fittings must not impair the function of the product. The fixing material should be chosen to suit the background. The fitter is responsible for selecting the correct fixing materials.

Check: Raise and lower blind and check correct winding and square hanging of the fabric.

4 Maintenance

4.1 Repairs / Inspection



Any repair work required by the system may only be carried out by authorised specialists. Only original replacement parts may be used for repairs.

4.2 Cleaning



The product and its components, such as mouldings end caps, etc., must not be treated with aggressive cleaning products. It is best cleaned with a slightly damp cloth.

For heavier soiling, warm water with a neutral, non-abrasive cleaning product (pH-neutral domestic washing-up liquid) may be used.

4.3 Care hints for fabrics



Washable!



Do not tumble dry



Do not iron!



Do not dry clean!



Do not bleach!

4.4 Disposal

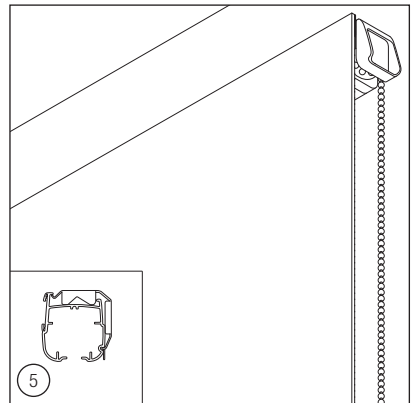
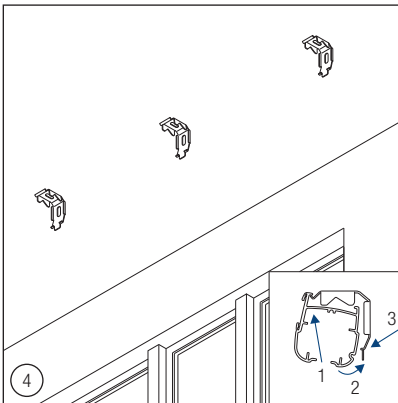
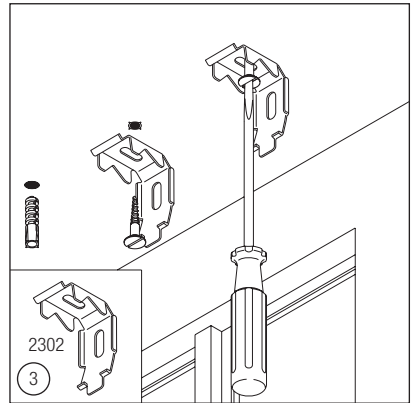
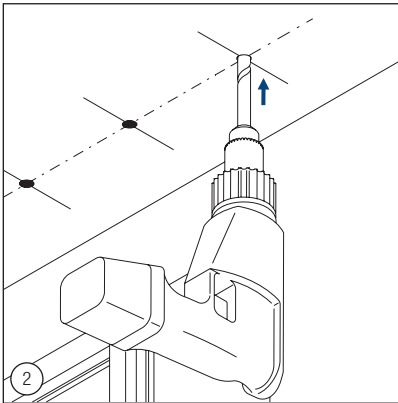
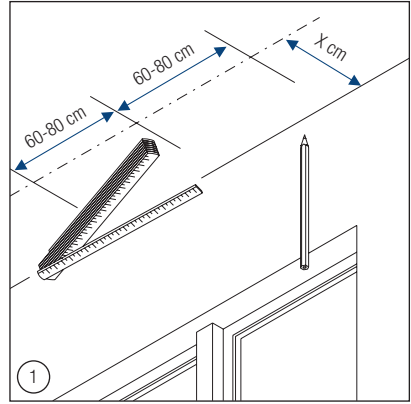
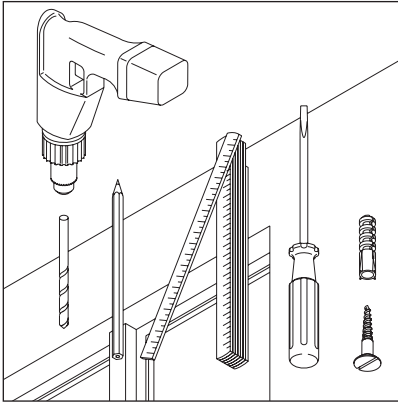


The product must be disposed of in line with local waste disposal regulations for industrial waste.

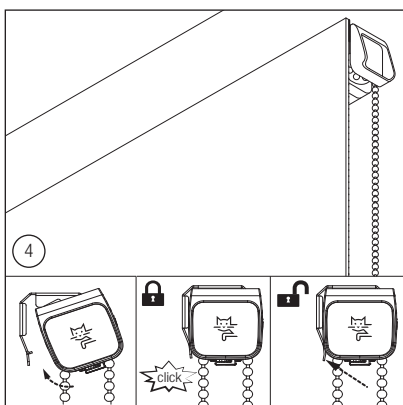
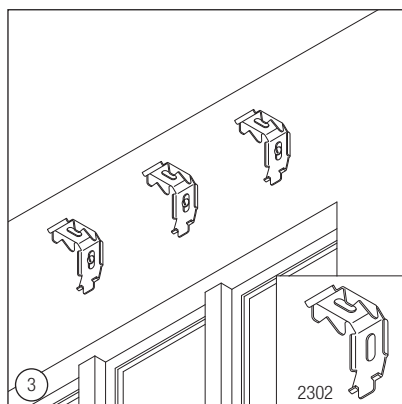
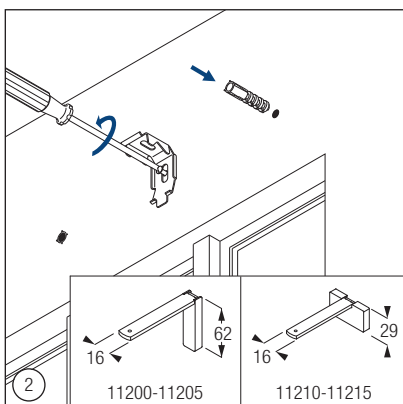
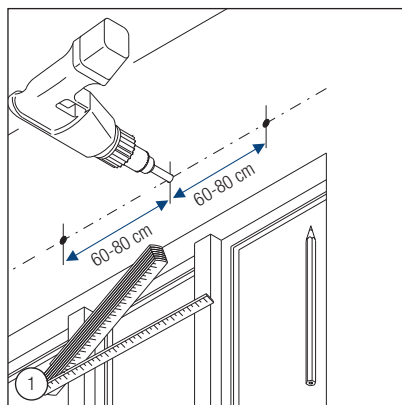
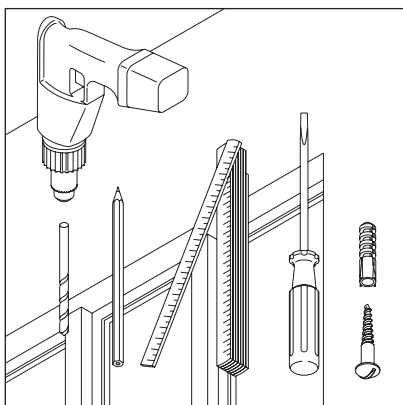
5 EU Conformity

EU conformity has been certified. This documentation can be requested from Silent Gliss.

6 Fitting
 6.1 (A) 2304 / 2305 (ceiling fix)



6.2 (B) 2304 / 2305 (wall fix)

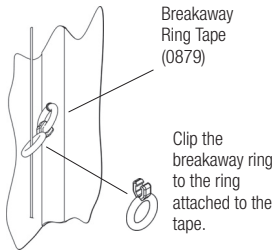


7 Roman Blind Child Safety Parts - Assembly Instructions

Please find below sewing instructions for the new Silent Gliss Roman blind child safety parts. These can only be used with Silent Gliss Roman blind headrail systems. The safety eyelet and bottom ring assemblies must be used in conjunction with each other.

7.1 Soft Fold Eyelets

You need either the Breakaway Ring Tape (part 0879) or a quantity of Breakaway Ring Sets (Part 0878). The safety sets will arrive in two parts and you will need to join the rings together during the makeup process.

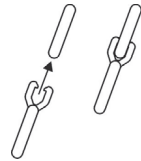


Note: When using the Breakaway Ring Set 0878 you will need to sew the standard ring directly to the fabric and then attach the breakaway ring.



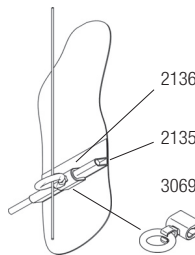
Set 0878

Eyelet Assembly

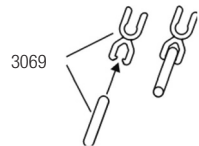


7.2 Hard Fold Eyelets

You need the Breakaway Rod Cover (part 3069) and a cross rod (part 2135). An optional part is the rod tape (part 2136).

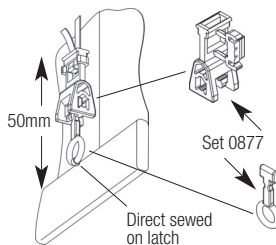


Breakaway Rod Cover Function

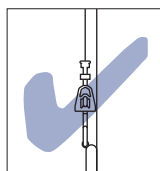
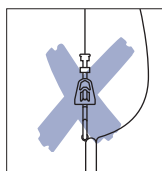
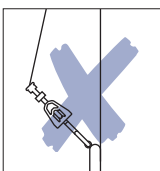
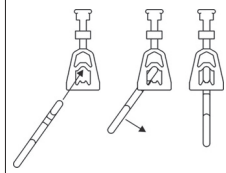


7.3 Breakaway Bottom Ring Assembly (hard and soft fold blinds)

You need the Breakaway Bottom Ring (part 0877) which works with both tape and cord, part per lift cord/tape. It will arrive in two parts which will need to be joined together during the makeup process. It is 50mm high and will need to be accommodated in your fold spacing.



Latch Assembly



Warning please note : The lift tape of cord should be taut against the rear of the fabric when the blind is in the fully lowered position. The tapes and cord should always be central within the 0877 breakaway device.

8 Roman Blind Chain Shortening Instructions

Note - The distance from the floor to the bottom of the chain must be at least **1.5 m**

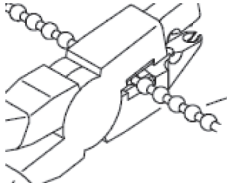
Note - The Safety Retainer 10400 should be installed at the maximum distance from the operating mechanism to prevent the looped chain becoming slack.

The Roman Blind mechanism is supplied ready assembled, complete with operating chain loop and Safety Retainer 10400 - a specialised tool is required if the chain requires shortening - SG 0679 joining pliers - if the system requires a longer chain it will need to be returned to the supplier/factory for a new chain.

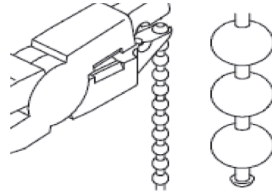


0679 Joining Pliers

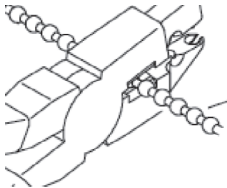
Firstly determine the amount of chain to be removed to shorten the chain loop, this can be calculated as follows - Part 1) Measure the distance from the installation height to the floor and deduct 1.50 m, Part 2) Measure the current chain loop on the head rail, deduct the distance measured in Part 2 from the distance measured in Part 1 - the difference between the two then needs to be doubled as this is the amount of chain to be removed from the loop.



Step 1 - Cut chain with pliers.

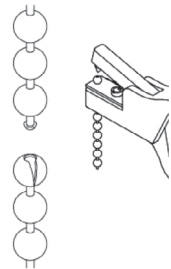


Step 2 - Place bead end into slotted end of 0679 joining plier jaw - apply pressure to pliers and split bead - discard bead and leave complete bead link stalk exposed only - remove chain from plier jaw.



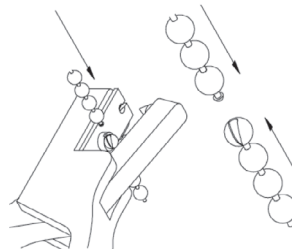
Step 3 - Now reduce chain by the amount calculated earlier from the other end of the free chain

Step 4 - Place bead from the end of chain just cut in the slotted end of the 0679 joining plier jaw - apply pressure to open the bead leaving in place so the gap/split is large enough to drop the bead link stalk can be inserted from the opposite end of the chain.



Step 5 - Place split bead into the closing cup position within the 0679 pliers and hold in place with the split exposed supported by the pliers - now drop the bead link stalk from the other end of the chain in to the partially open bead apply pressure and close the bead around the stalk ensuring the end of the stalk is captive - rotate the bead and repeat the closing process with the pliers several times to keep the shape of the joined bead - the chain loop is now complete.

Step 6 - Fit Safety Retainer.

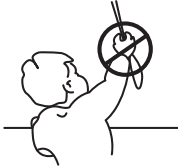


9 Child Safety



Warning!

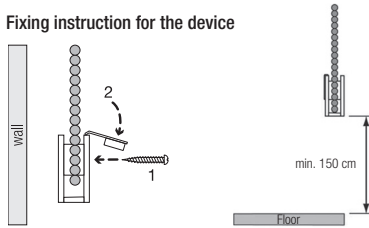
Young children can be strangled by loops in pull cords, chains, tapes and inner cords that operate the product. To avoid strangulation and entanglement, keep cords out of the reach of young children. Cords may become wrapped around a child's neck. Move beds, cots and furniture away from window covering cords. Do not tie cords together. Make sure cords do not twist and create a loop.



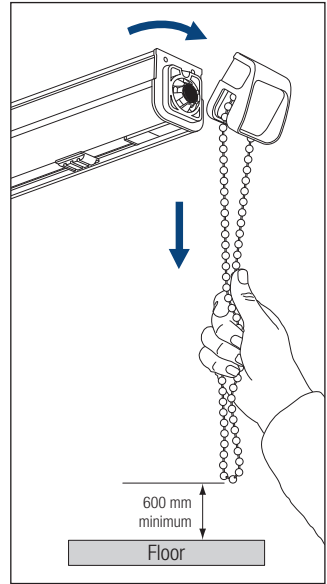
Children can strangle if this safety device is not installed. Always use this device to keep cords and chains out of reach of children.



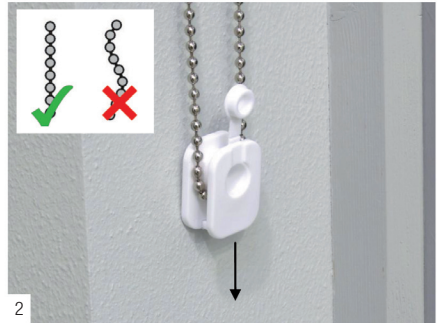
Fixing instruction for the device



This retaining device should be installed at the maximum distance possible from the control mechanism to prevent the looped pull cord(s) becoming slack.



1



2



3



4

www.silentgliss.co.uk